

MIRAGE 3500

Installation Steps

mirage
screen systems

Contents



1. Measuring

2. Installation Steps- Basic Install

- Step 1
- Step 2
- Step 3
- Step 4
- Step 5
- Step 6
- Step 7



Measuring



Height:

In-jamb: Deduct 1/4" from height of opening

Surface: Add 1 1/4" to height of opening

Width:

In-jamb: Supply the full width of the opening. Mirage adds 4" of width for safety.

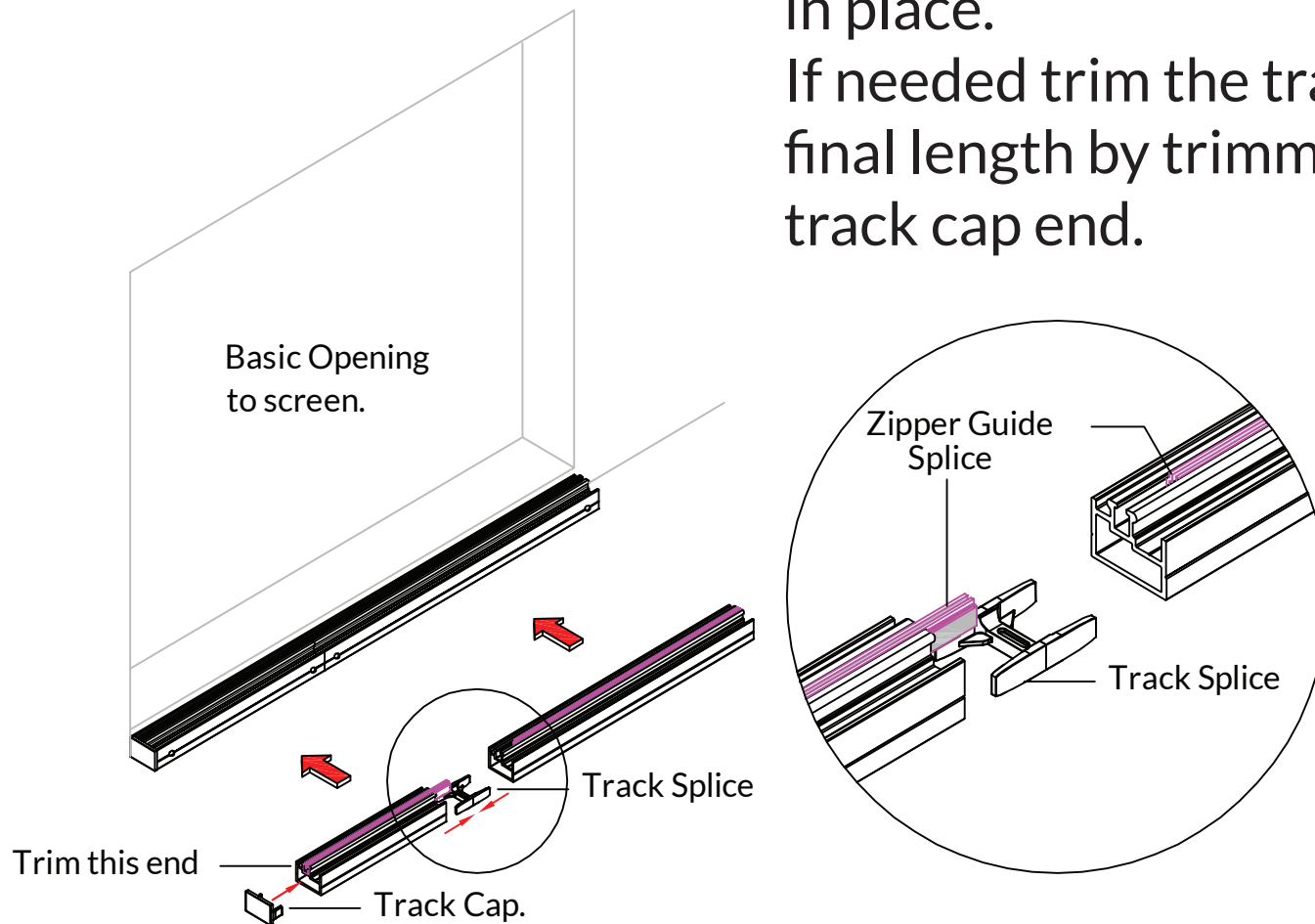
Installation - Basic

Step 1



Assemble bottom track and set in place.

If needed trim the track to its final length by trimming the track cap end.

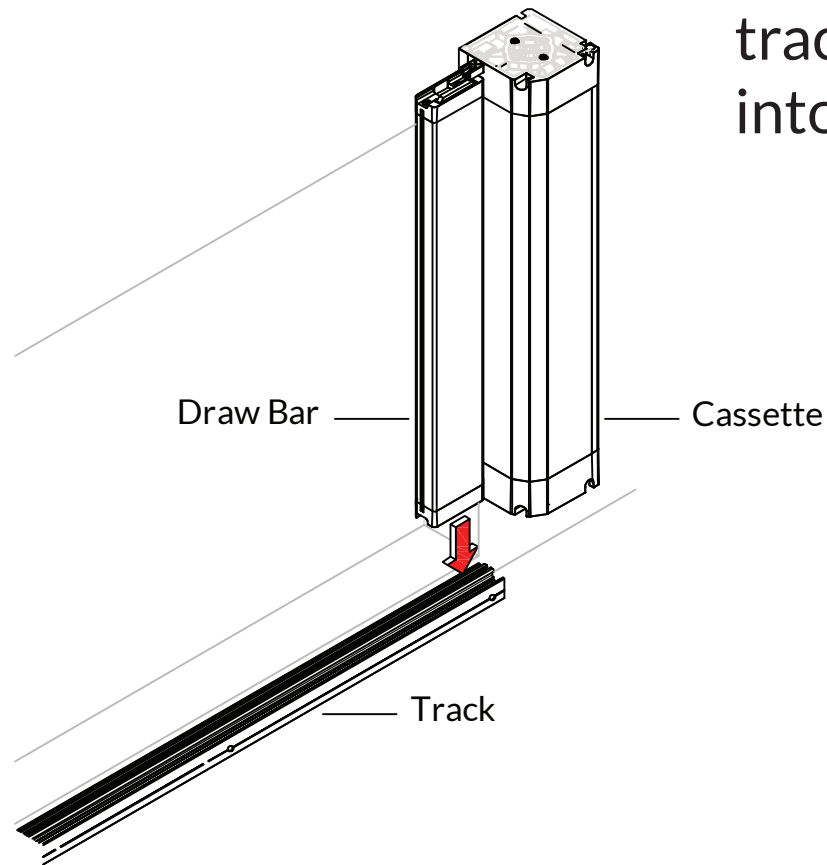


Installation - Basic

Step 2

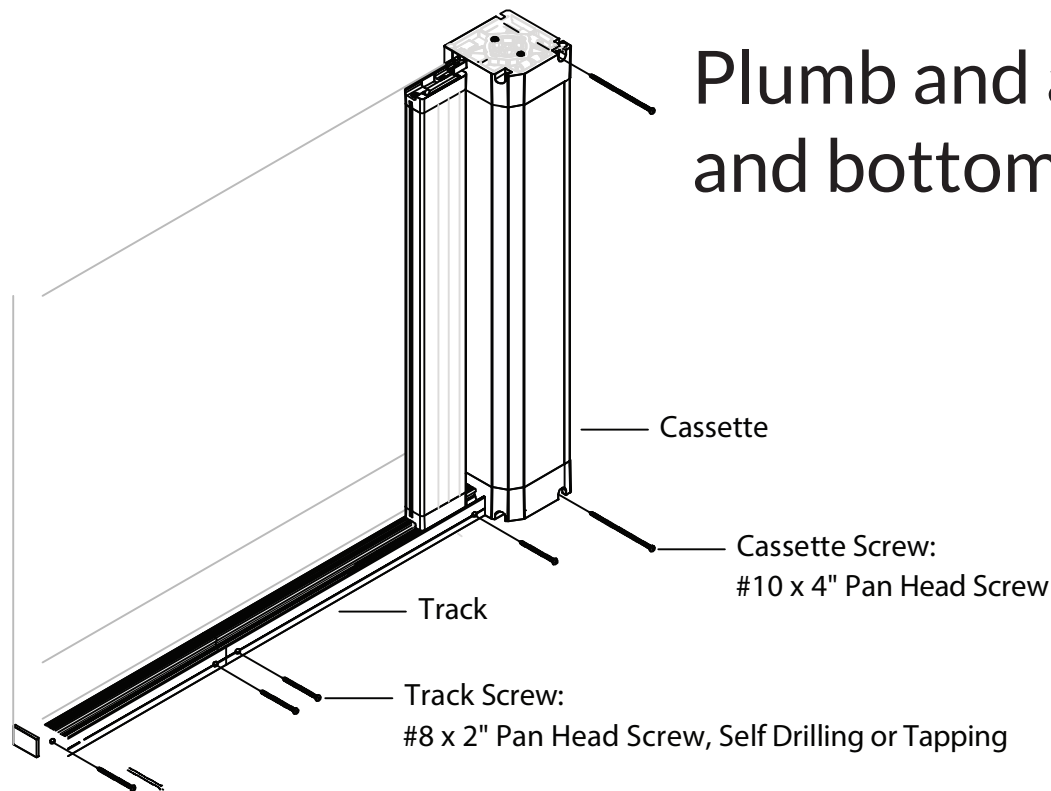


Set screen unit in place resting the draw bar on the bottom track as the zipper end is fed into the zipper guide.



Installation - Basic

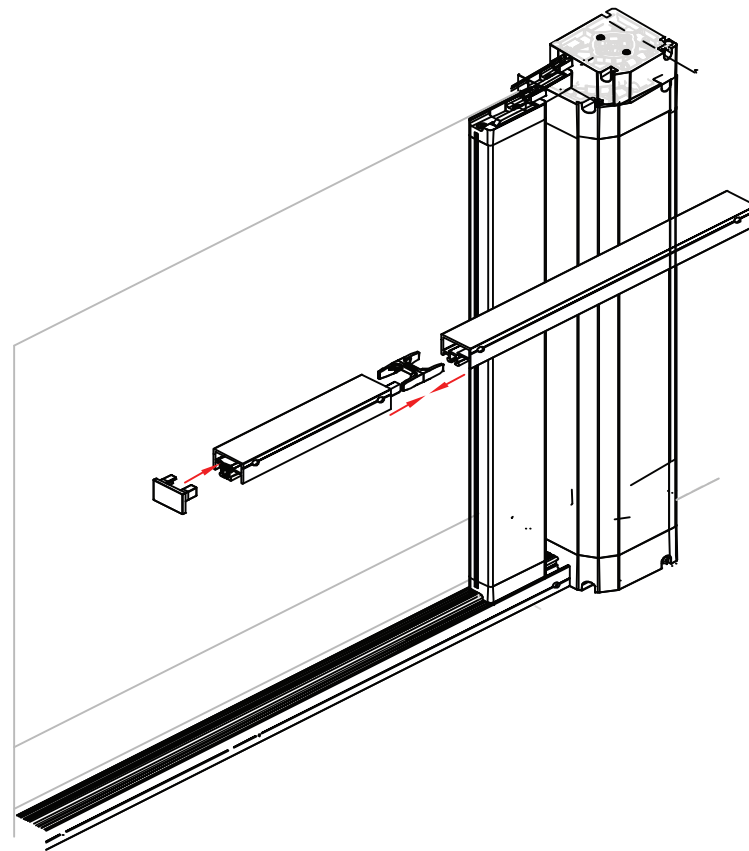
Step 3



Plumb and attach the cassette and bottom track.

Installation - Basic

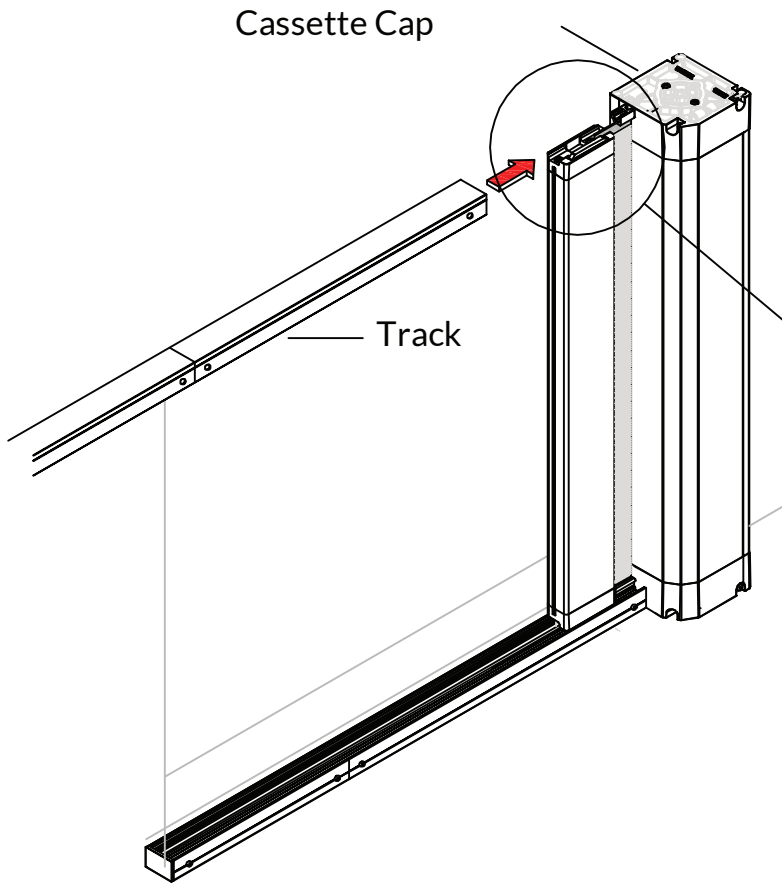
Step 4



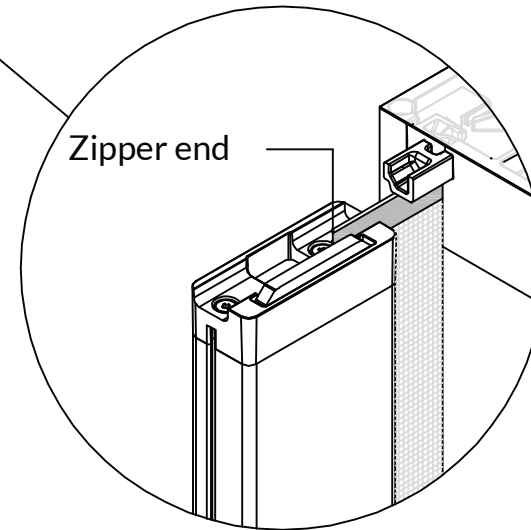
Assemble the top track. If needed trim the track to its final length by trimming the track cap end.

Installation - Basic

Step 5



Slide top track onto the cassette cap while feeding the zipper end into the zipper guide.

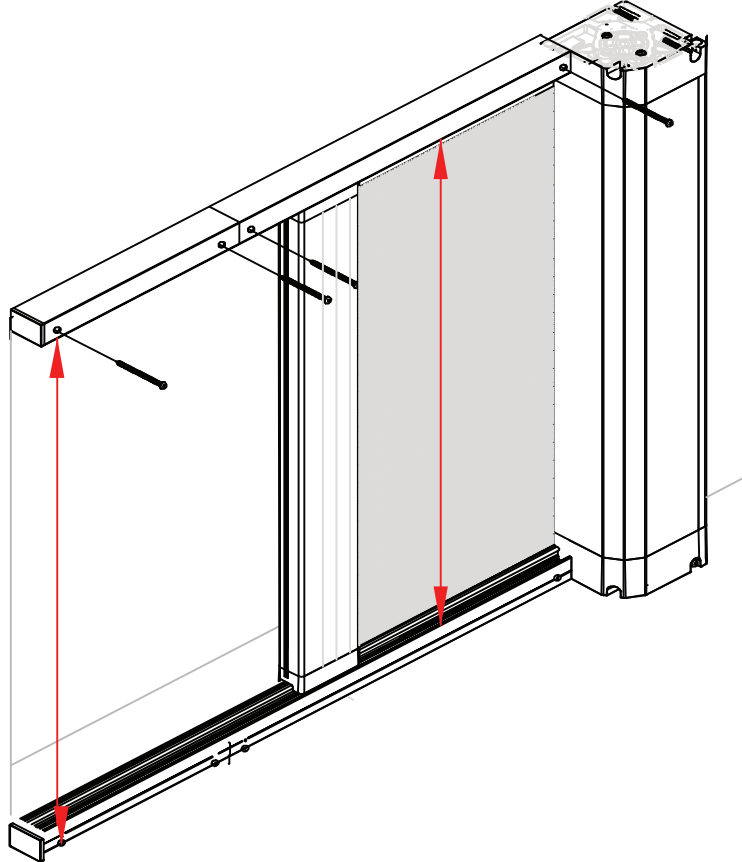


Installation - Basic

Step 6



Using the draw bar as a guide, install the top track parallel to the bottom track.



Installation - Basic

Step 7



Attach handle and set stop location.

