

1750 Retractable Screen Door

Installation information



Contents



1 Choosing sill adapters

2 Sill options

3-5 Sill application - in swing - inside jamb

6-8 Sill application - in swing - outside jamb

9-10 Sill application - out swing

11 Installation Steps

12 Cut down



How to choose sill adapters

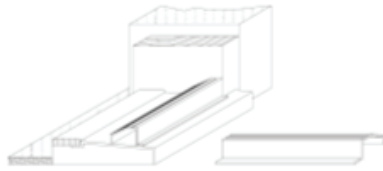


Choose based on door configuration, creating four sides **all in one vertical plane**.

Consider:

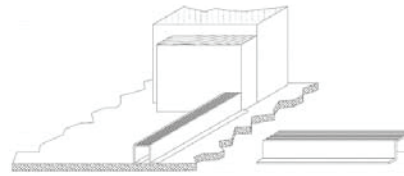
- Slope of current threshold
- Drainage ability
- Depth of current threshold
- Functionality post-install

Sill options



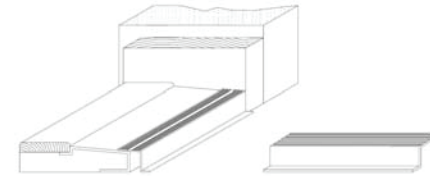
Top Sill Adapter

For screens mounted on top of a sloping threshold



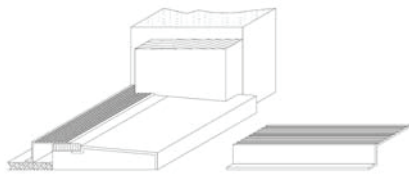
Trim Sill Adapter

For screens mounted to a doorway with no threshold



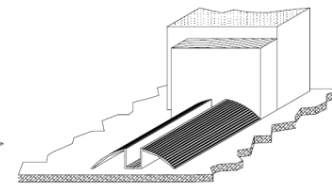
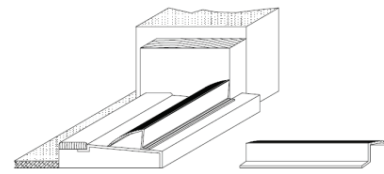
Exterior Sill Adapter

For screens mounted on the exterior of a doorway with an existing sloping sill



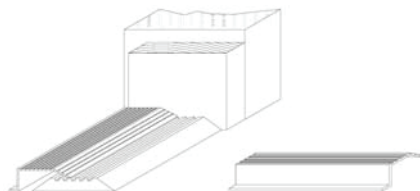
Interior Sill Adapter

For screens mounted on the interior of a doorway with an existing flat sill



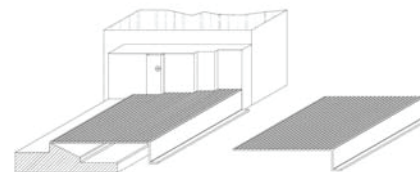
Ramp Sill Adapter

Provides a sloping surface minimizing tripping. When installed back to back, they form a ramp that protects the bottom track. This adapter works in the same applications as the "Top" and "Trim" sill adapters



Threshold Sill Adapter

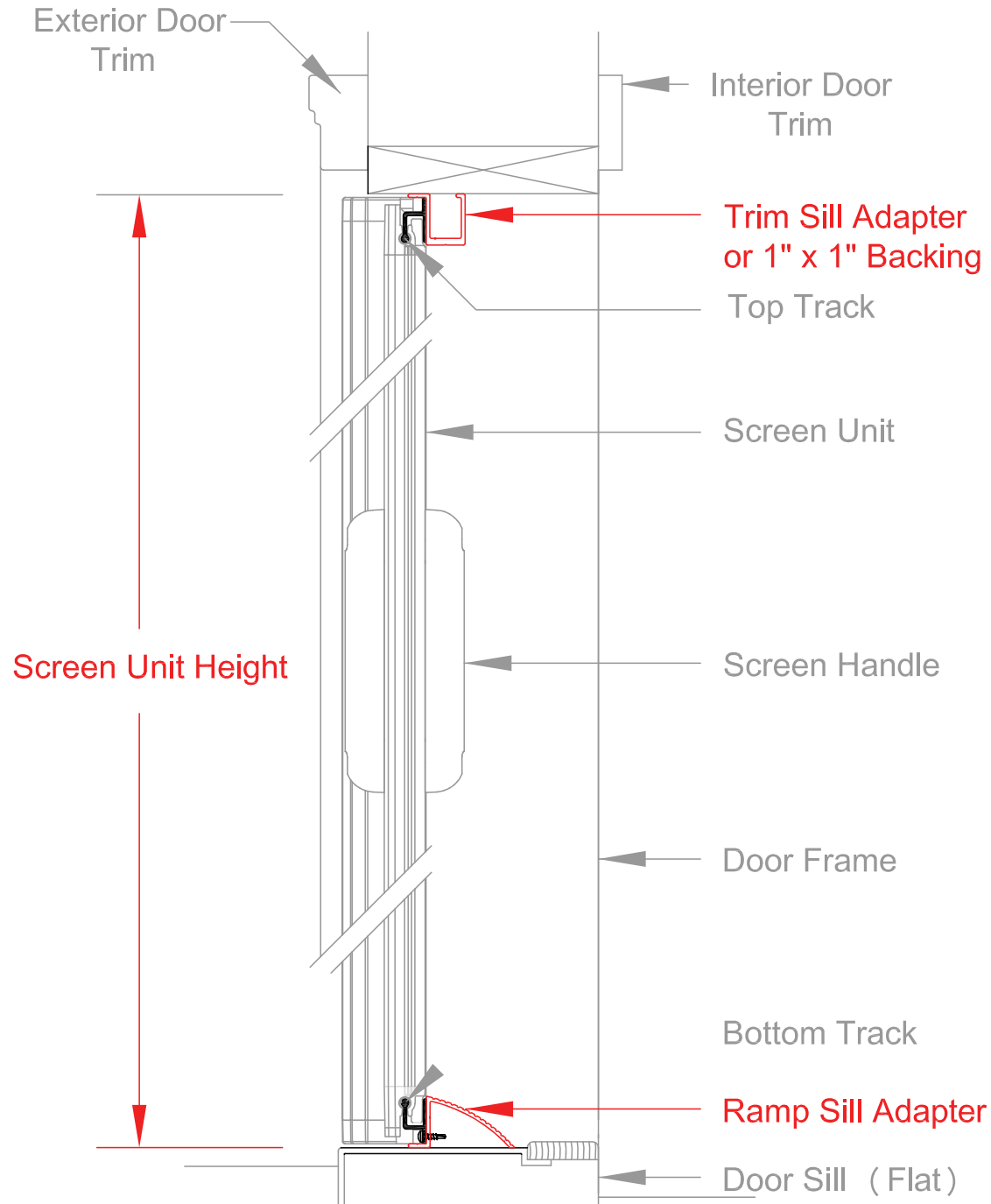
For screens mounted to a doorway with commercial threshold



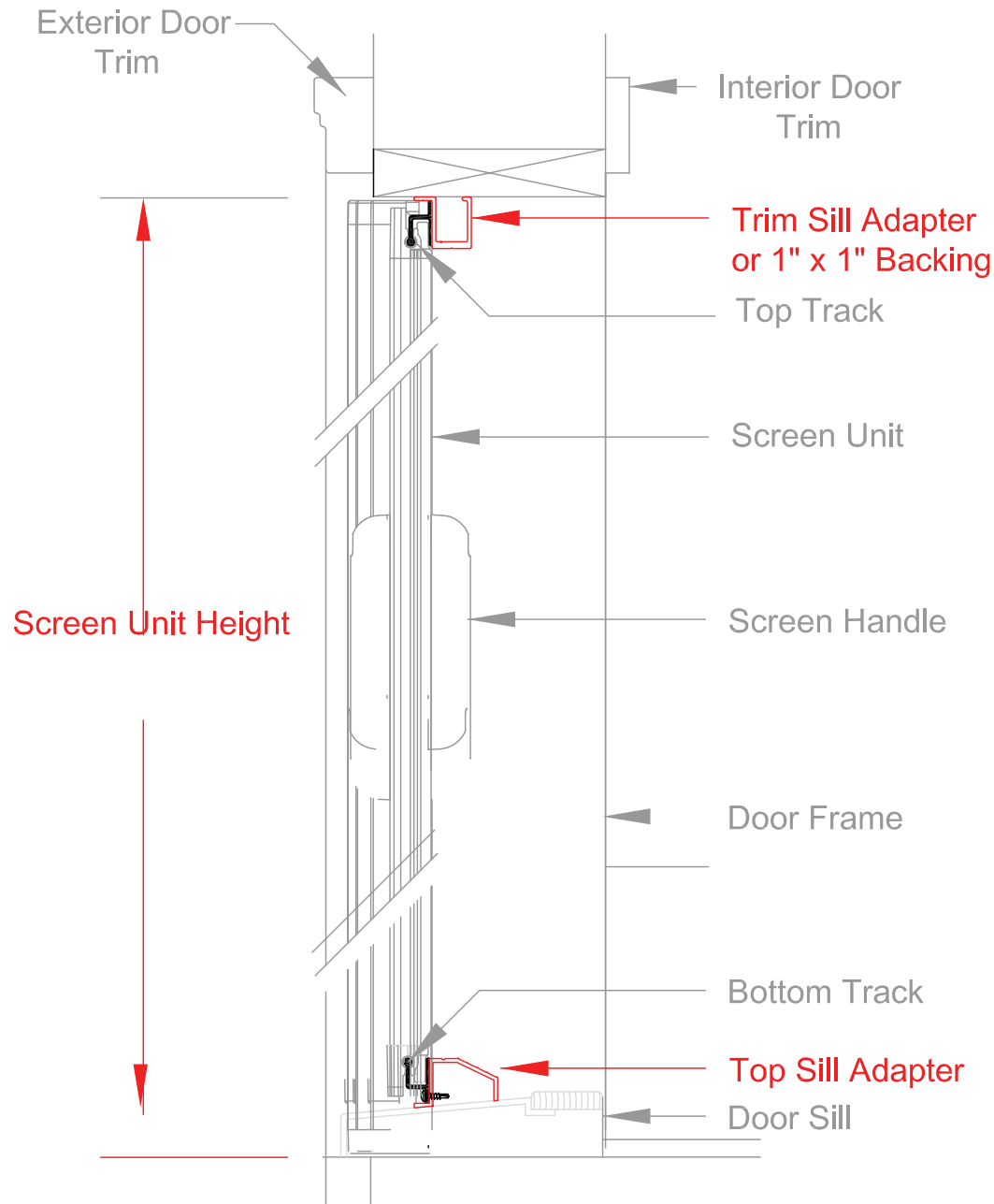
5" Sill Adapter

For covering existing threshold

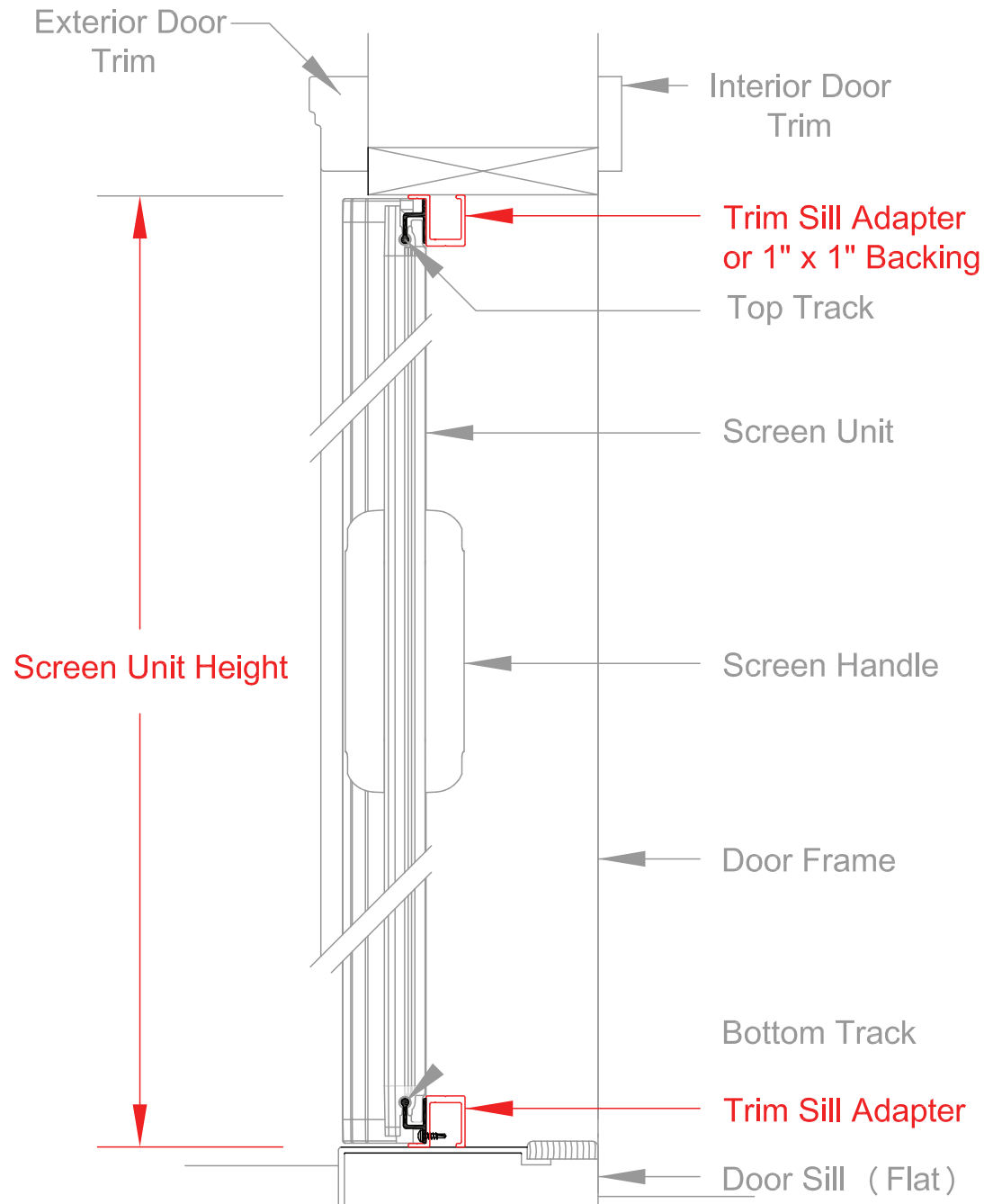
Sill application - in swing - inside jamb



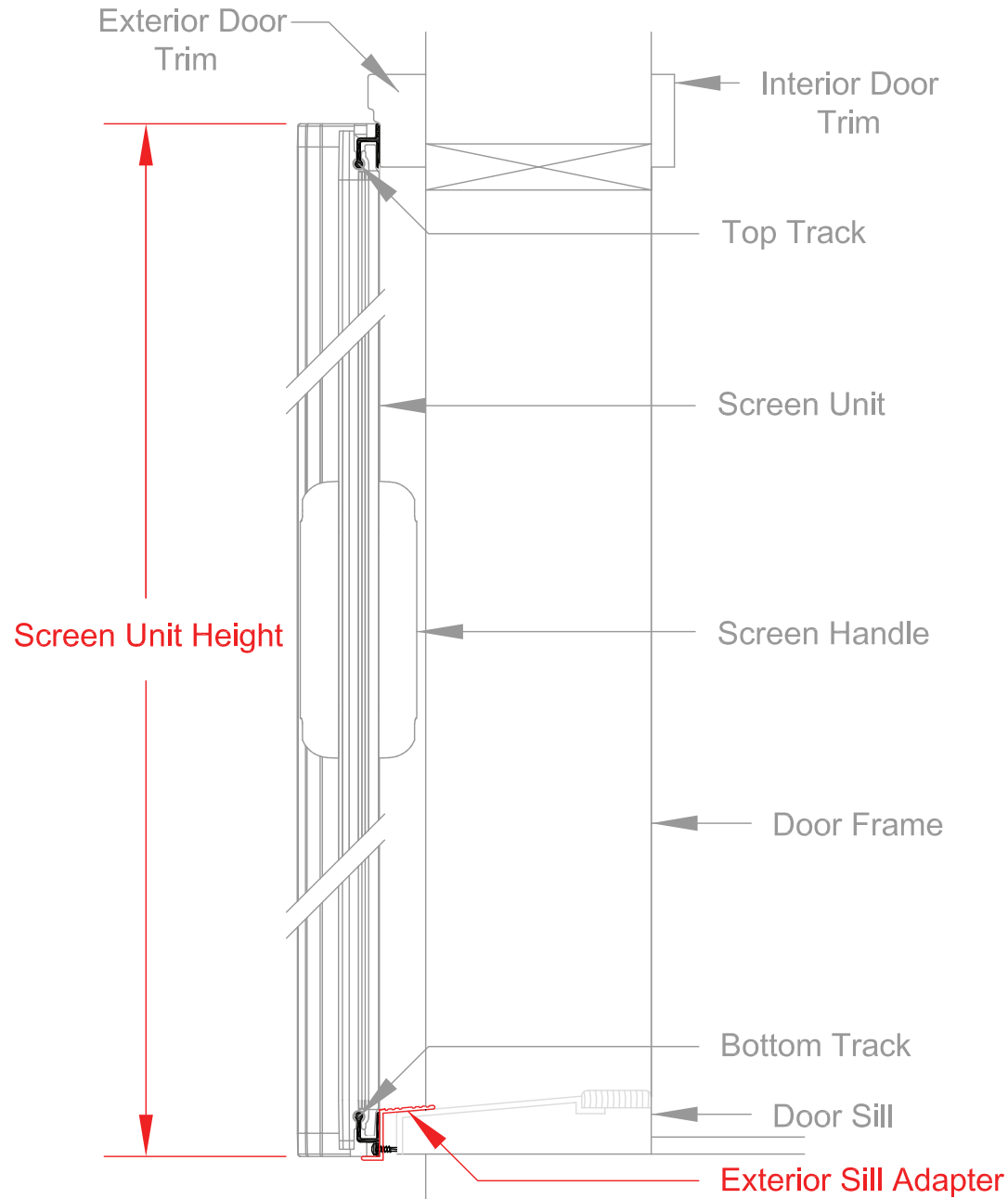
Sill application - in swing - Top & Trim



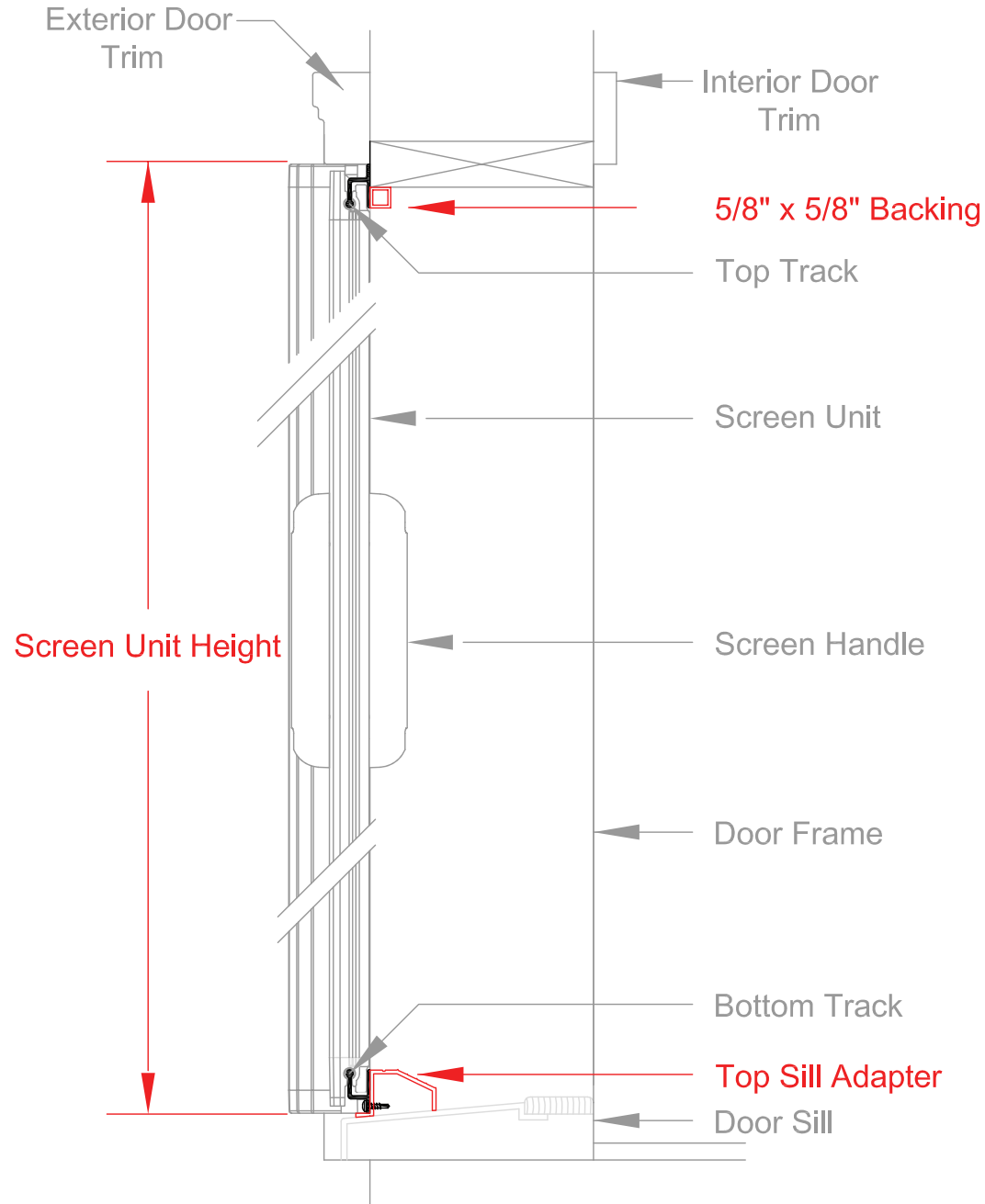
Sill application - in swing - Trim & Trim



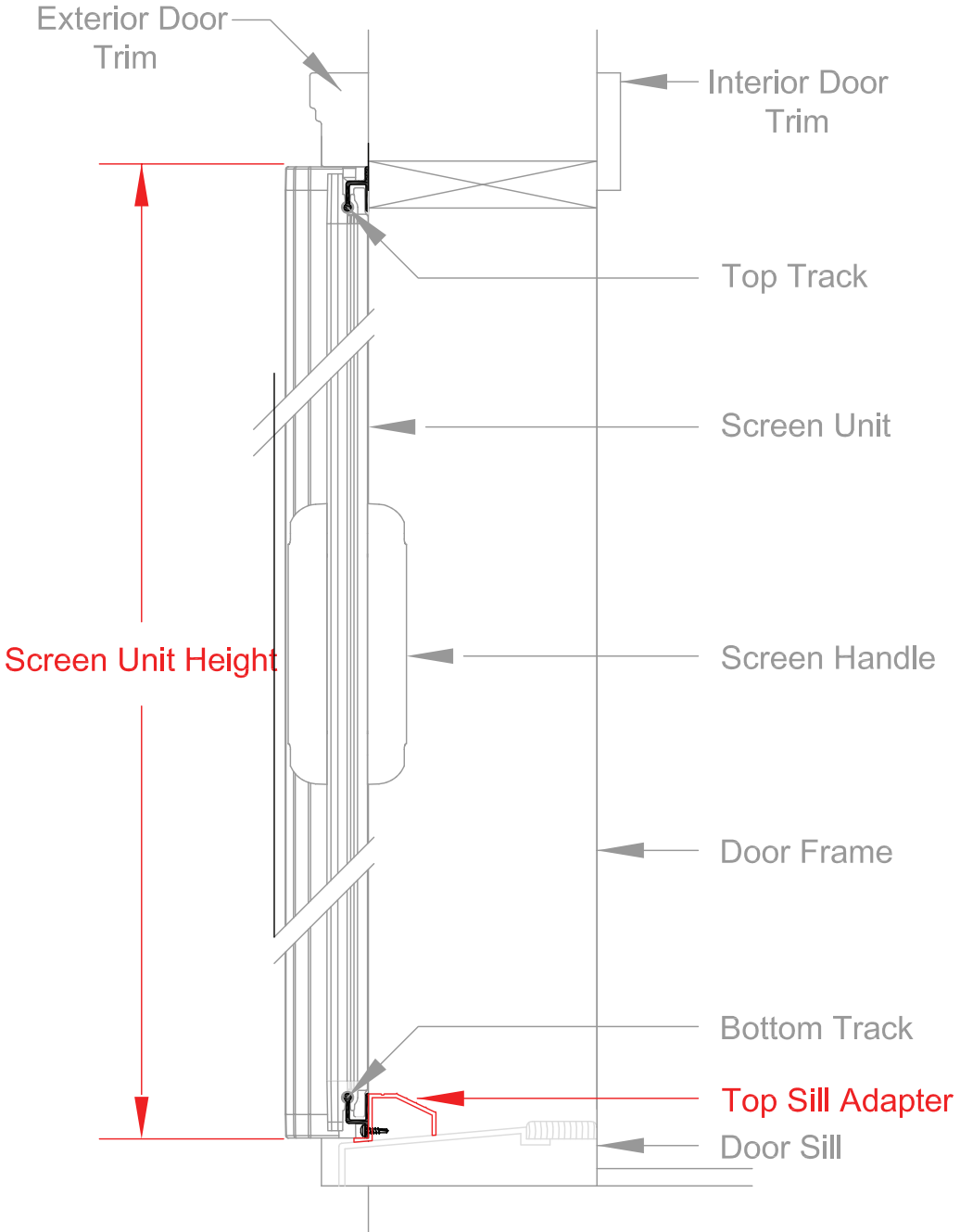
Sill application - in swing - outside jamb exterior sill



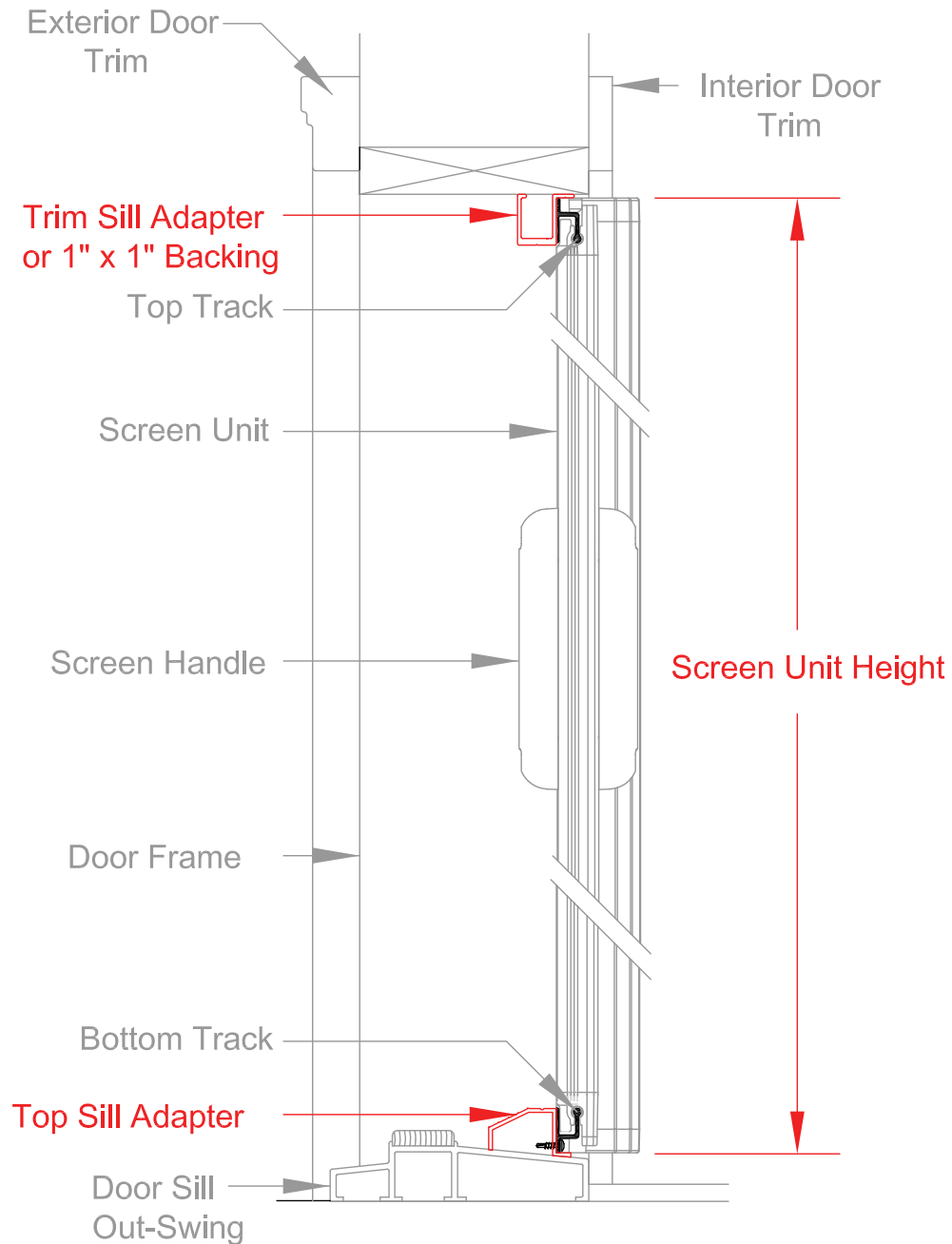
Sill application - in swing - outside jamb - top sill & 5/8 backing



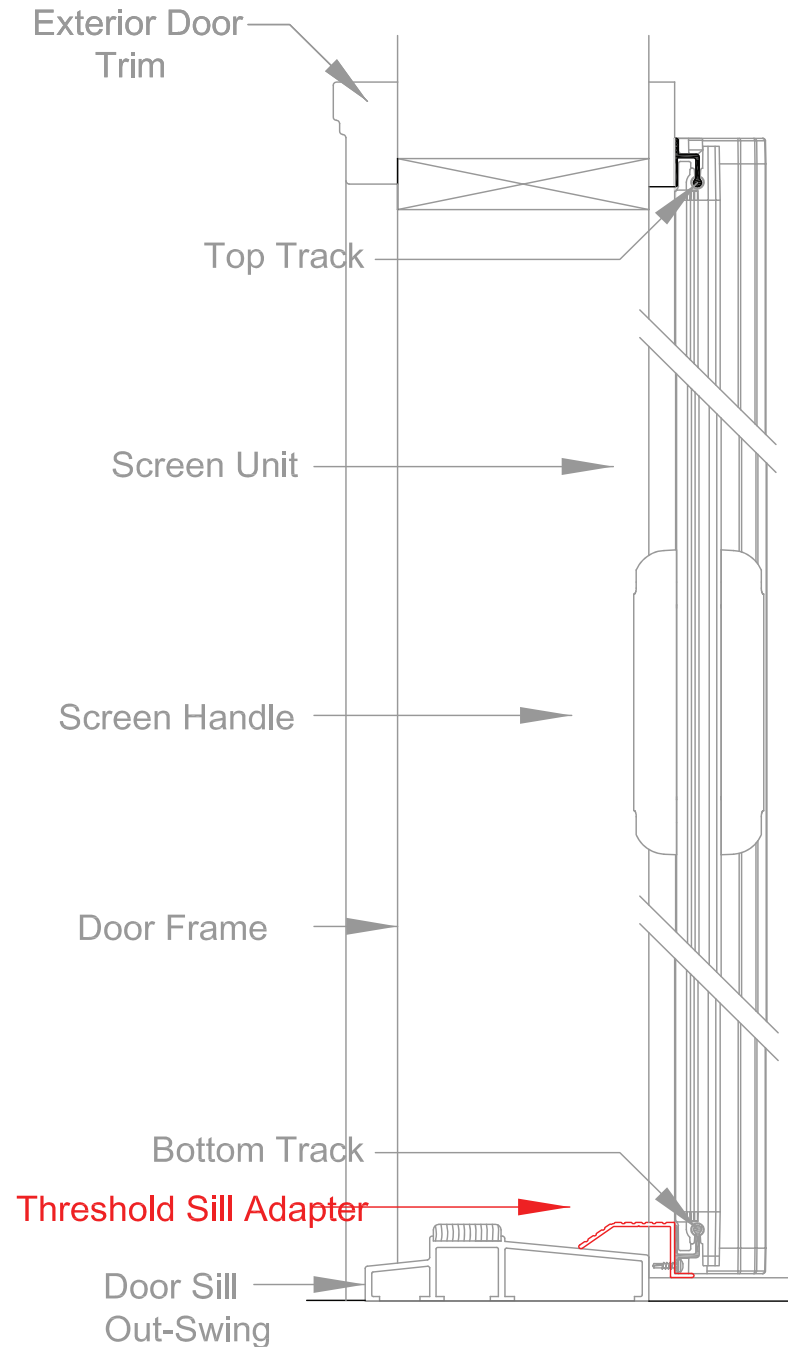
Sill application - in swing - outside jamb - top still (rabbet)



Sill application - out swing - Top & Trim



Sill application - out swing - Top & Trim



Installation instructions

mirage
screen systems



Installation steps



Step 1

Sill adapter



Step 2

Top backing



Step 3

Housing/screen unit



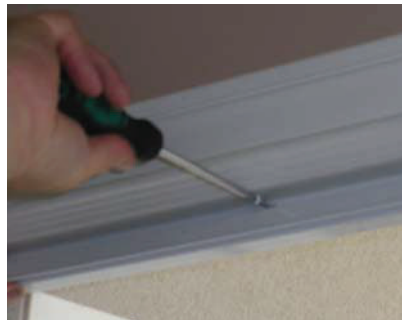
Step 4

Bottom track



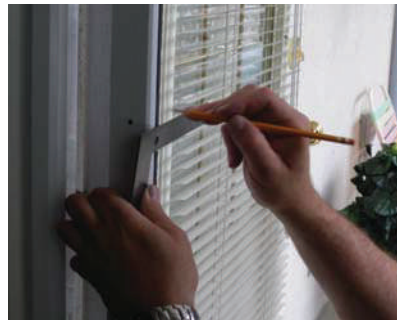
Step 5

Top track



Step 6

Handle



Step 7

Magnet



Finished!



Video Training Library:
[www.miragescreensystems.com/
video-training-library](http://www.miragescreensystems.com/video-training-library)

Cut down



1. Mark the screen unit to the desired cut length. Deduct 1/2 inch for the housing cap that will be reattached after the cut down is complete.
2. Remove both pull bar guides.
3. Remove the housing cap from the axle end. Note, this is the non-tensioning ratchet/non-spring end of the unit.
4. Take care to keep the spring end of the roller tube firmly against the remaining housing cap, so the spring tension is not lost.



5. Slide the pull bar forward so that the housing and pull bar extrusions line up, and cut the unit at the end that has the housing cap removed.
6. Still holding the roller tube in position, empty out any aluminum shavings.
7. Remove the roller tube cap from the cut-off and reinstall it in the roller tube.
8. Reinstall the housing cap and pull bar guides using the original screws.

