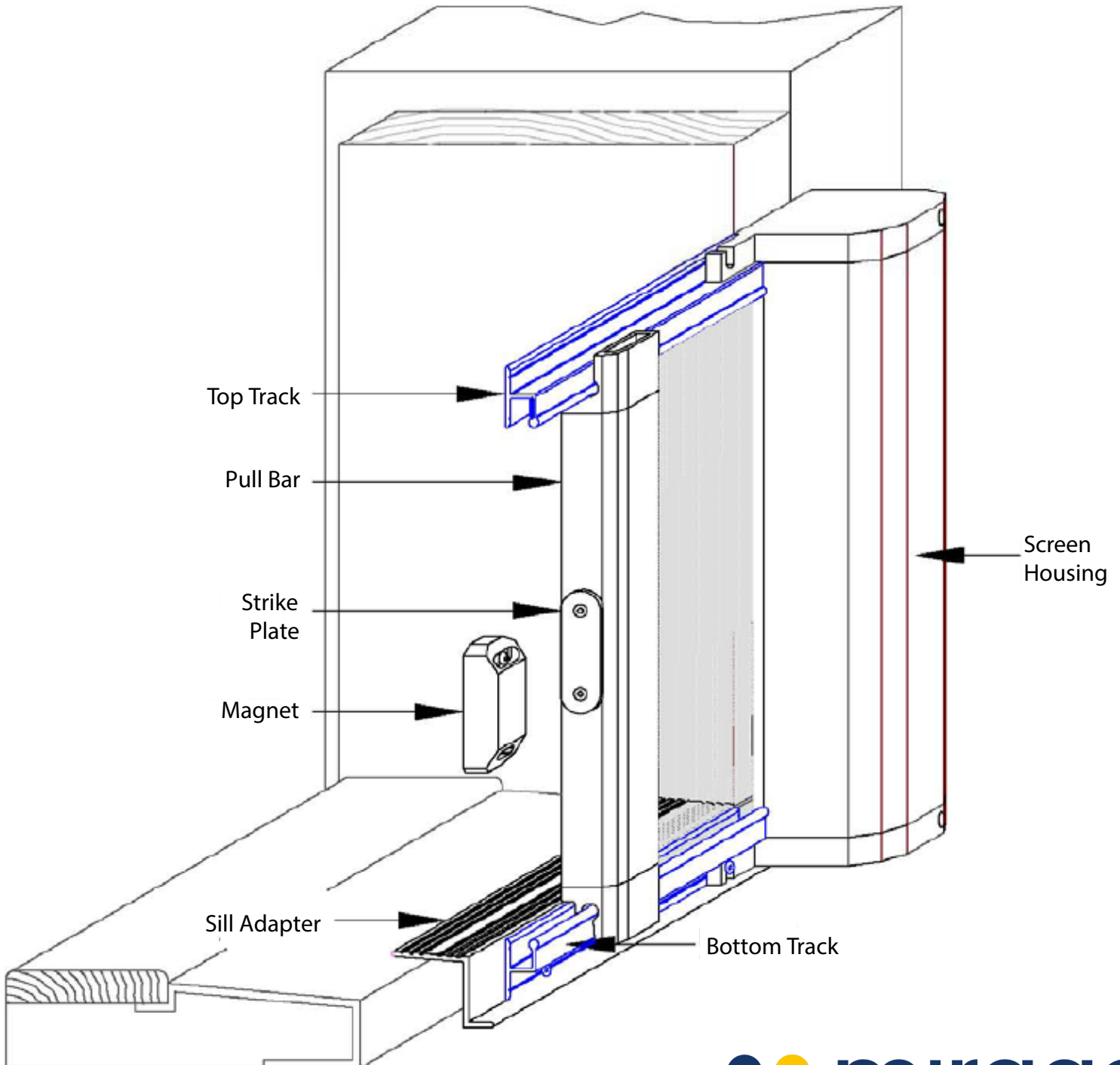


# Mirage Retractable Screen Details - Sill Adapters

To have a Mirage retractable screen door installed, it is important to have a flush surface on all four sides of the opening. One vertical surface is used to mount the screen housing, while the top and bottom tracks mount to the two horizontal surfaces. The last side is used to seal the opening when the pull-bar is drawn across and held against it by the magnet and strike.

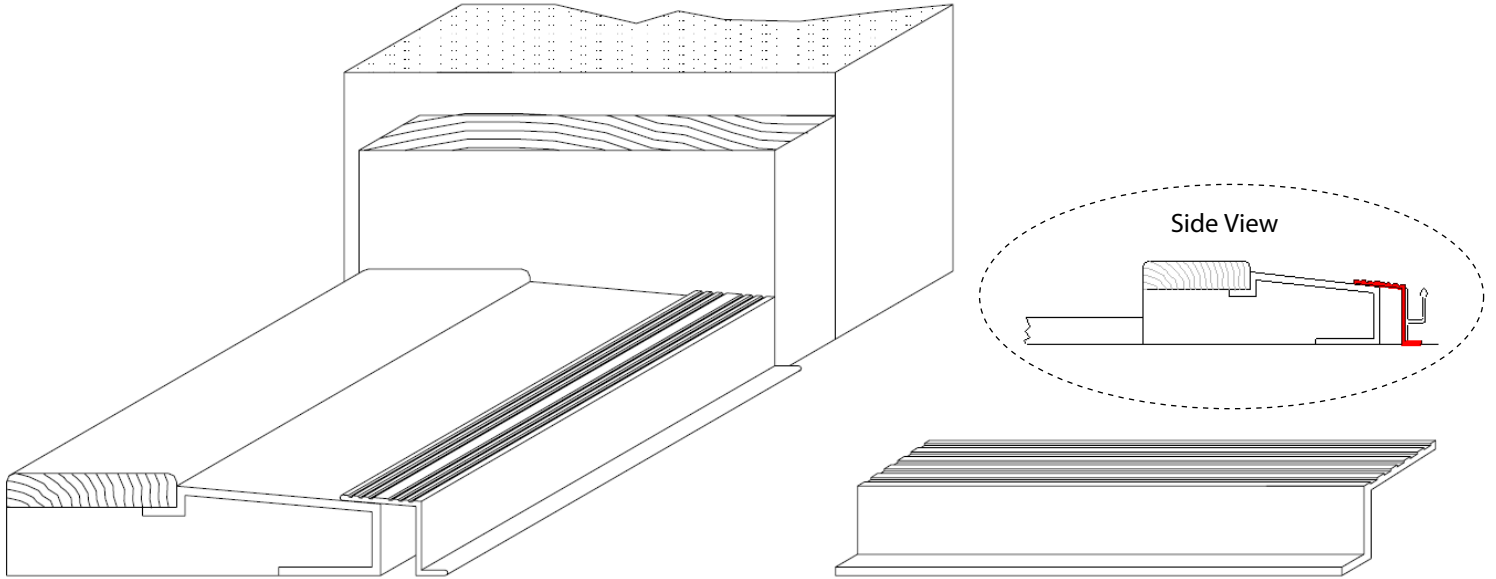
Very often this condition exists on three sides, but must be created at the threshold. Sill adapters will allow your Mirage dealer to create this condition so that the bottom track can be mounted.



# Mirage Retractable Screen Details - Sill Adapters

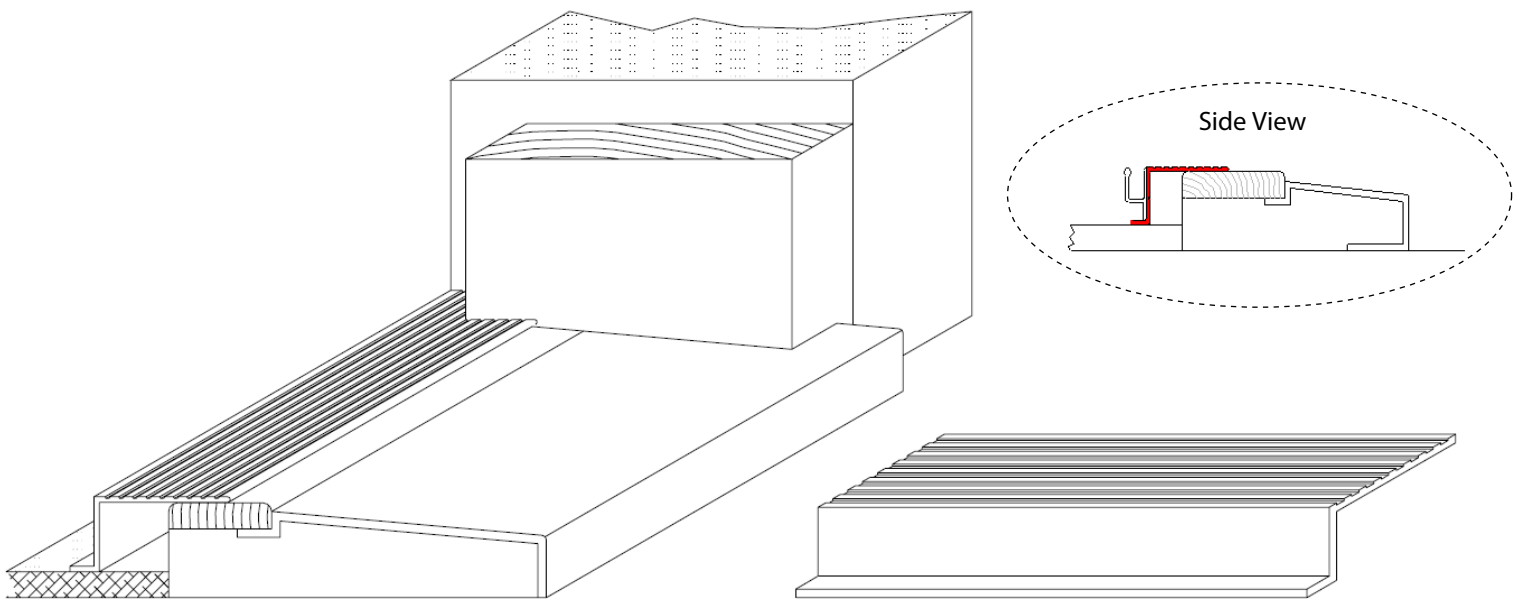
## EXTERIOR SILL ADAPTER

For screens mounted on the exterior of a doorway with an existing sloping sill



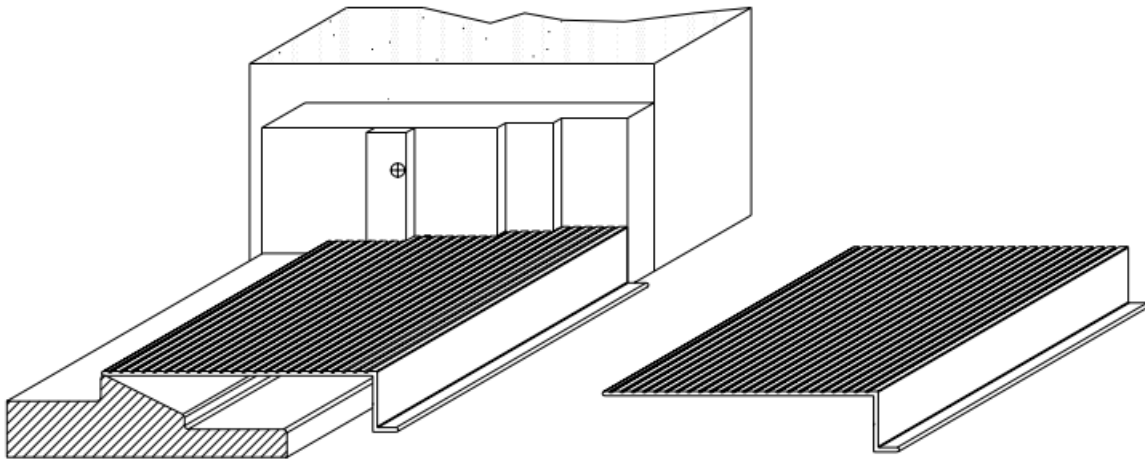
## INTERIOR SILL ADAPTER

For screens mounted on the interior of a doorway with an existing flat sill



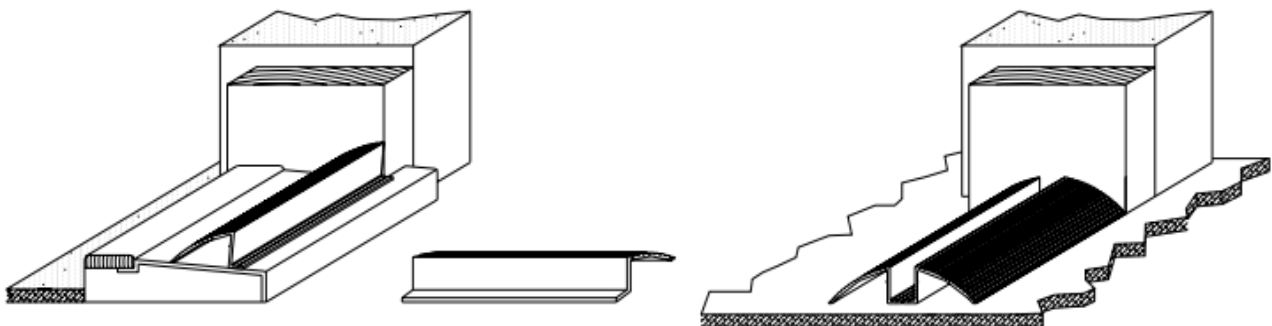
## WIDE SILL ADAPTER

For covering existing threshold.



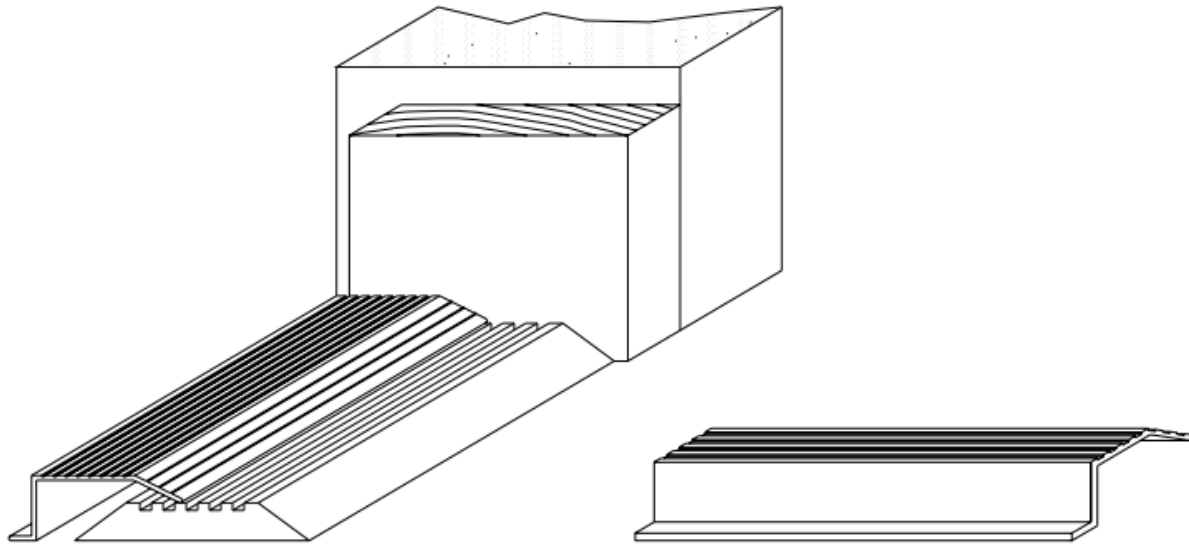
## RAMP SILL ADAPTER

Provides a sloping surface minimizing tripping. When installed back to back, they form a ramp that protects the bottom track. This adapter works in the same applications as the “Top” and “Trim” sill adapters.



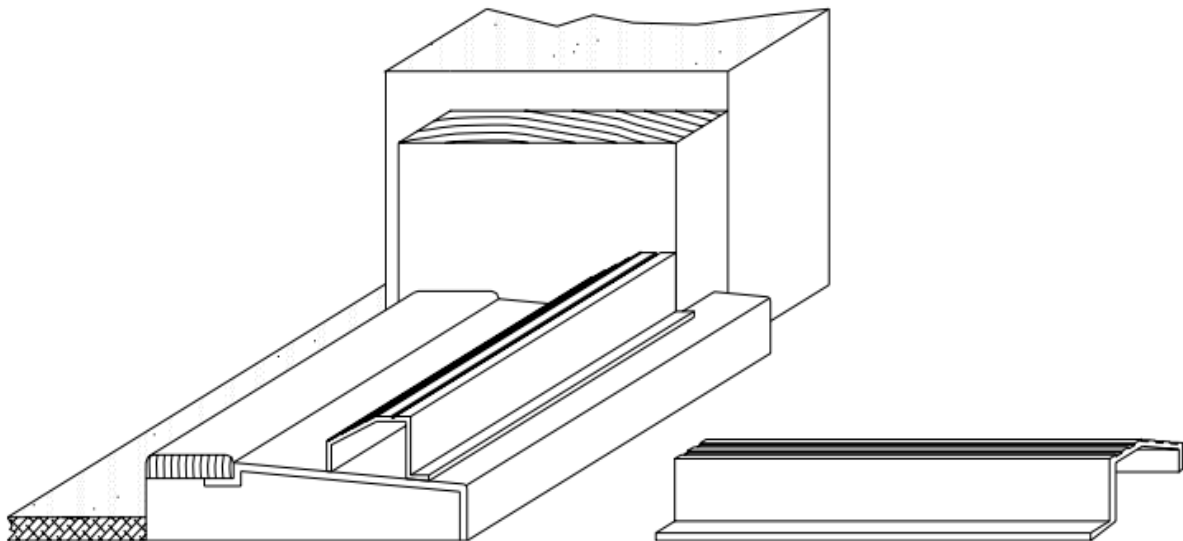
## THRESHOLD SILL ADAPTER

For screens mounted to a doorway with commercial threshold.



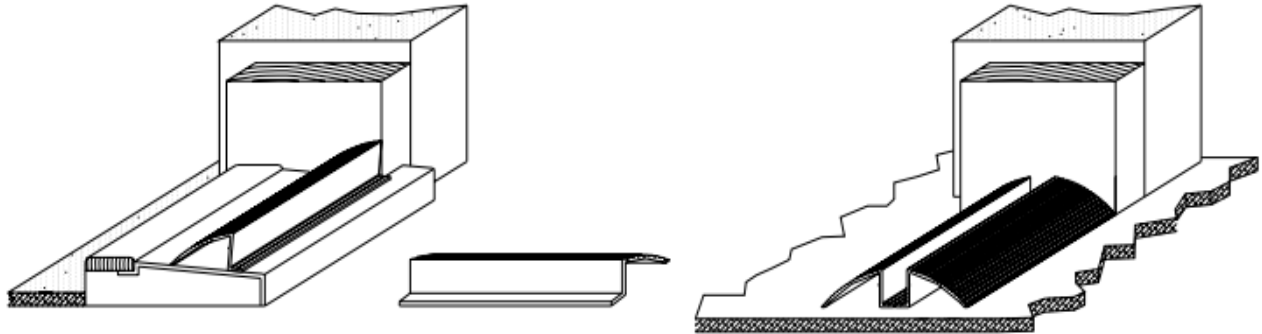
## TOP SILL ADAPTER

For screens mounted on the top of a sloping threshold.



## RAMP SILL ADAPTER

Provides a sloping surface minimizing tripping. When installed back to back, they form a ramp that protects the bottom track. This adapter works in the same applications as the “Top” and “Trim” sill adapters.



## TRIM SILL ADAPTER

For screens mounted to a doorway with no threshold.

