

# Re-Tensioning Screens Spring

## MIRAGE RETRACTABLE SCREENS

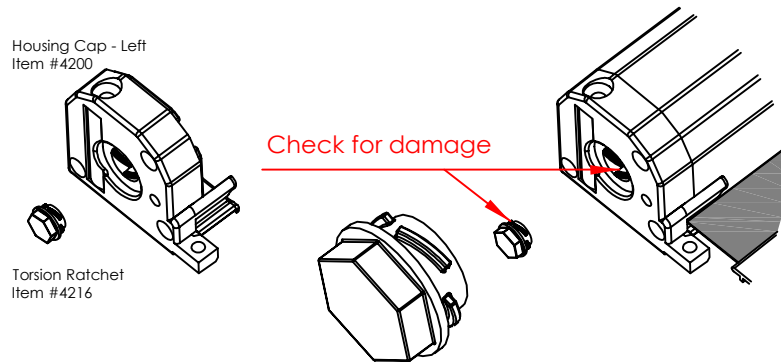
1

If the screen loses its spring tension...

Check to see if the Torsion Ratchet on the left hand Housing Cap has become damaged or is missing.

If the threads are damaged, they will need to be replaced.

Replacement parts are available online.

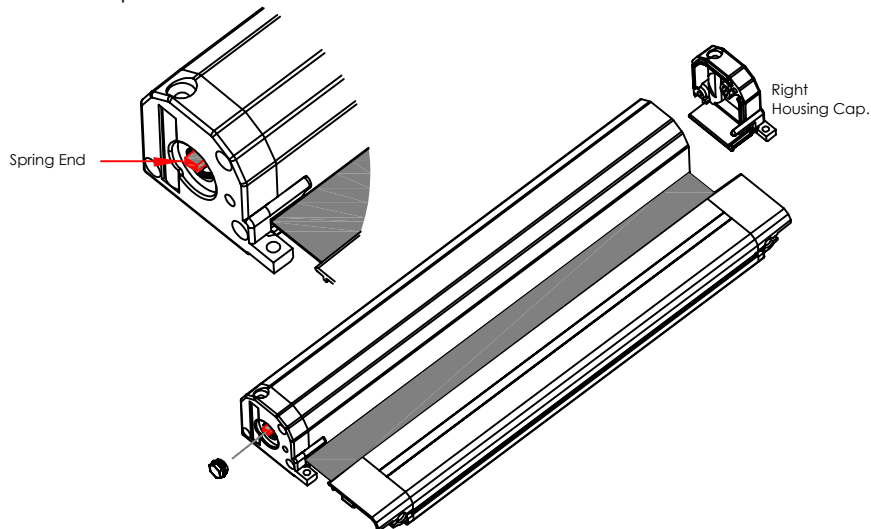


2

To tension the spring...

Remove the Right - Housing End Cap.  
(This will make it easier for reassembly later)

Feed the spring end through the hole on the Left Housing End Cap.



3

Insert the Torsion Ratchet onto the spring end.

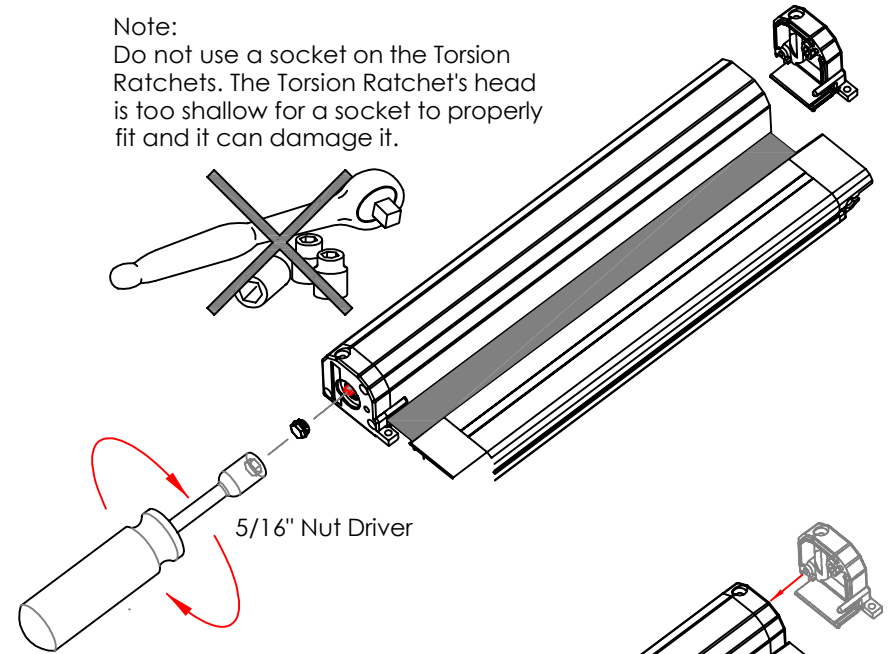
Using a 5/16" Nut Driver apply light pressure against the torsion ratchet and turn it clockwise 12 - 15 full turns, or as needed. As the torsion ratchet is turned, allow it to ride in and out so it doesn't damage the threads.

When the desired spring tension is reached, turn the Torsion Ratchet gently counterclockwise to lock it in place.

If you need to reduce the spring tension, remove Housing End Cap and begin again.

Note:

Do not use a socket on the Torsion Ratchets. The Torsion Ratchet's head is too shallow for a socket to properly fit and it can damage it.



4

Reattach the Right Housing Cap.

