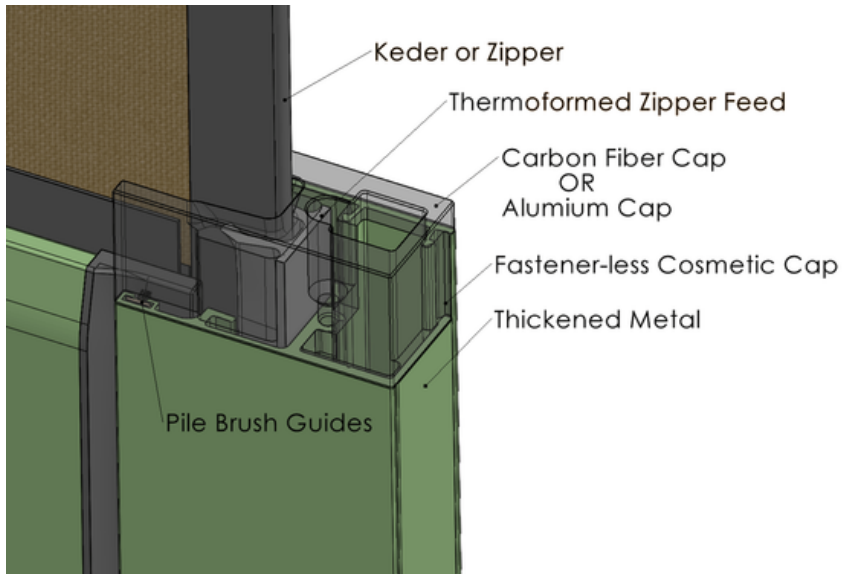




# H4500 G2 Tracks



*As of January 1, 2026 all H4500 orders have included the G2 System Surface Track!*

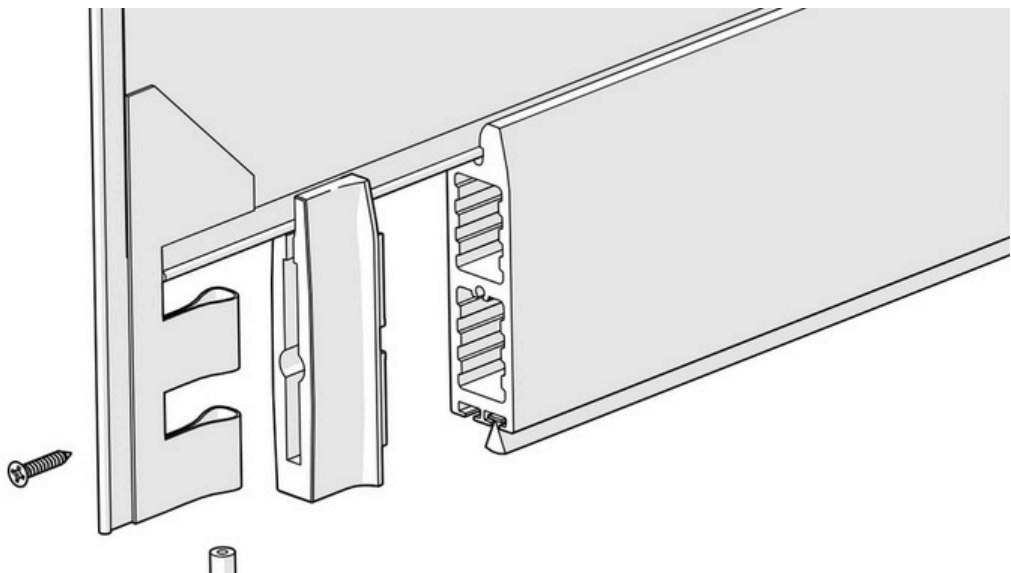
*Tracks are 2.25"(w) x 1.00"(d). The extra metal provides increased strength and flexibility in the field. Just like with the recessed system, the PVC retainer is extruded with hard metal mixed in and then thermoformed to form the zipper/keder feeder.*

*Pile brush has been added to the area where the hem bar slides in order to reduce wear and keep things perfectly silent in the metal end cap variation.*

*Some of the improvements are...*

- *Fabric panels are now cut slightly wider.*
- *The Keder-Lock has been adjusted outwards slightly.*
- *Pile brush has been added to the tracks on recessed as well.*
- *Option to request your recessed tracks to NOT be pre-drilled.*
- *The zippers/keder is left a little longer on the bottom to allow easier initial feeding in recessed applications.*
- *The durometer on the tension wings will be lowered slightly on the next batch.*

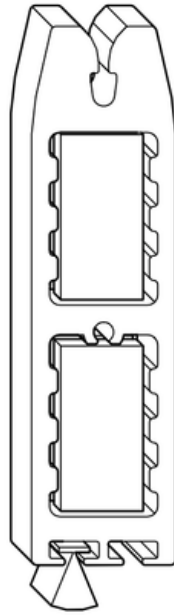
## Tall Hem Bar



New tall hem bar! This hem bar works exclusively with the G2 system .

## G2 Tall Hem Bar

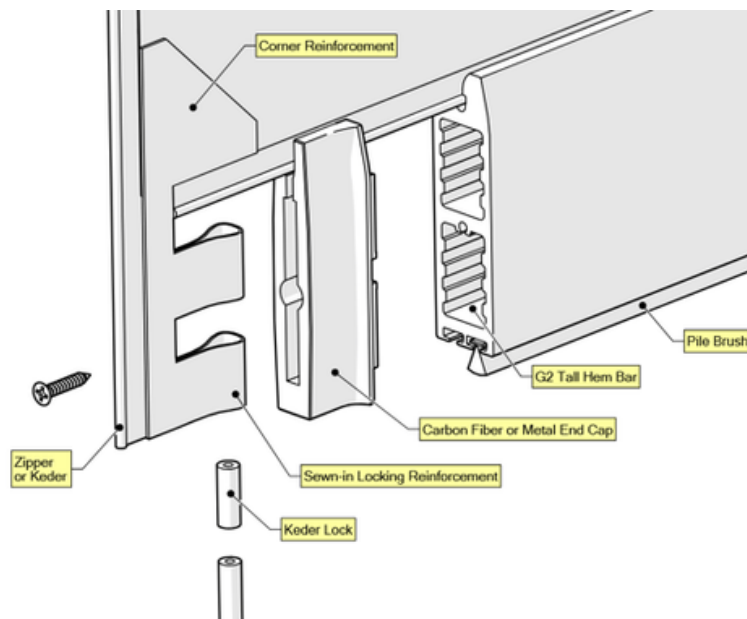
- Thicker, stronger, better. The extrusion has been redesigned and the corner attachment with a dedication to strength!
- 3.25" tall x 0.90" wide
- More than 2 times the deflection resistance
- Loaded with steel for consistent deployment.
- Internal ribs for increased strength! It has a MASSIVE wall thickness.
- 6 different pile brush options



## Keder Lock Attachment

The proprietary keder-lock system binds the fabric to the end cap. No more little screws or rivets! It's literally locked into place inside of the metal hem bar!

The cleanest and strongest corner on the market.



The "short" (2 inch) and "Lanai" (2 inch wide!) hem bars are still available. The short hem bar is only recommended for small units and on window applications. The Lanai hem bar has slightly better deflection resistance, because of it's double width.

The G2 Tall Hem bar is a perfect blend of strength and size. Compared to the existing Tall Hem Bar, it has almost twice as much aluminum and it has all been added in the places required to increase stiffness. Every screen also comes loaded with 5 ft of solid steel bar on each side!

## G2 Recessed Track

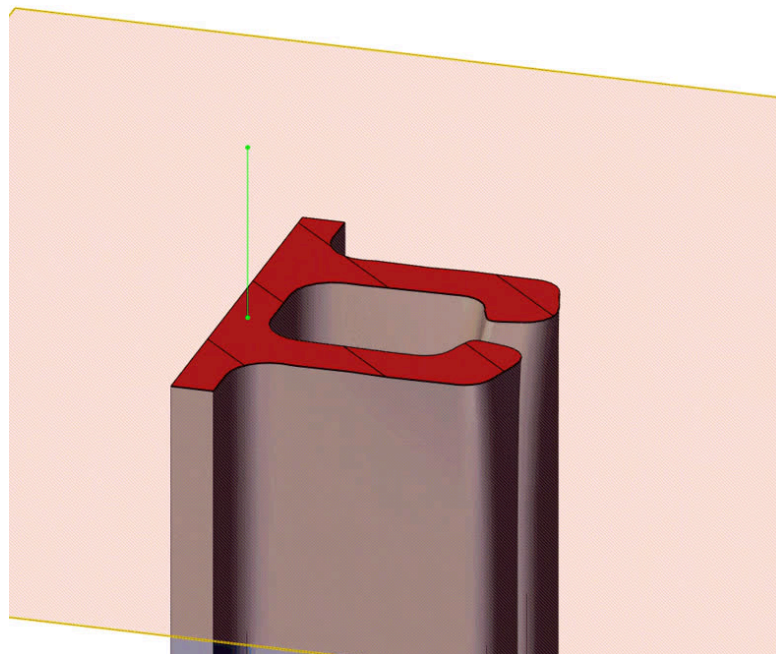
Here's the part of our generational update you've been waiting for!

The brand new recessed (new construction) side track system! Strong and flexible with the smoothest feeding and funnel system available.

Drawings are available on OutQuotes, but here are some highlights:

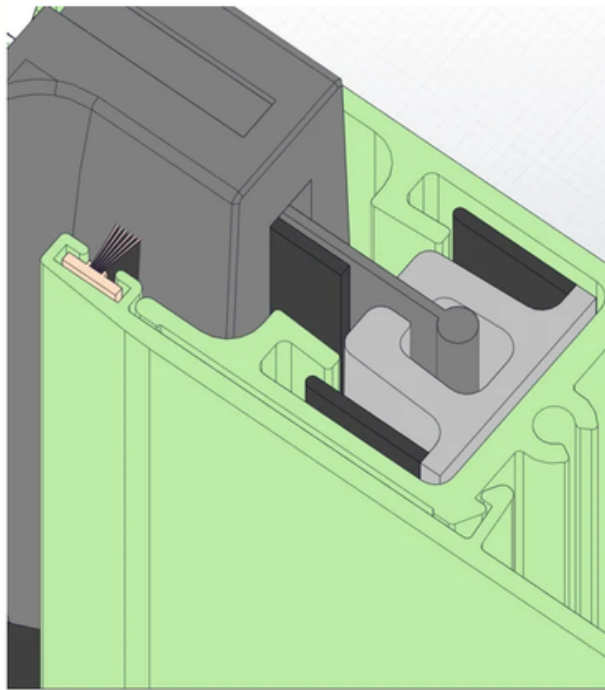
### Thermofomed & Integrated Funnel.

The funnel is now molded directly into the top of the edge retainer, completely destroying the question of who's funnel is the best! It feeds perfectly, every time. The funnel itself can accept the keder/zipper from over 1.5" of flex left-to-right on each side!



### Dual Flex Retainer

The first generation edge retainer was great but the G2 brings it to a whole new level. The edge retainer is extruded with 2 different types of plastic and a mineral metal infill. The dual-flex wings on each side of the retainer give 0.70" of play to the retainer. The wedge metal shape tightens the fabric hold the more it is pulled.

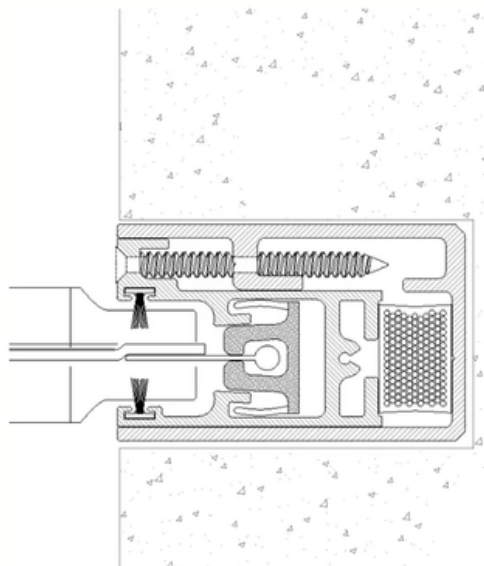


### Stronger Channel

Specific to the recessed channel, it is no longer an extruded threads design and has moved to a full metal attachment. The screw size has increased and doubled the wall thickness. Combined with the G2 Tall Hem Bar, you've got the strength to tackle any installation.

On OutQuotes, you can now select "G2 Recessed" and "G2 Tall Hem Bar" as options in the screen configurator. Importantly, the G2 system has a track width of 2.25" so make sure your deductions are accurate for the system you are ordering. We will keep the legacy system in place until the end of the year.

For now, G2 system hem bar and tracks must be used with each other. For example, you can't use the G2 hem bar with the old surface tracks.



METAL upgrades available to all the plastic components in the H4500 screen system. In particular, the Hem Bar End Caps, Side Track Caps and Idler Mount!

- Components will be available only for the G2 system.
- Components are milled out of aluminum and can be powdercoated to match the frame or any other color.
- There will be a cost increase for this upgrade. It will show up in the online configurator when it launches.
- The standard CF components function very well but this metal upgrade gives Mirage dealers the opportunity to offer a product competitors don't have.