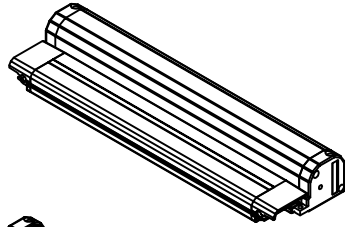
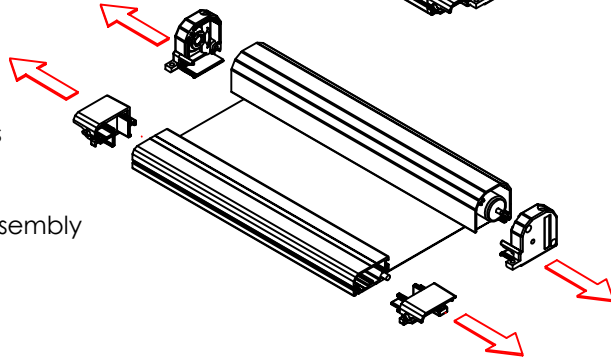


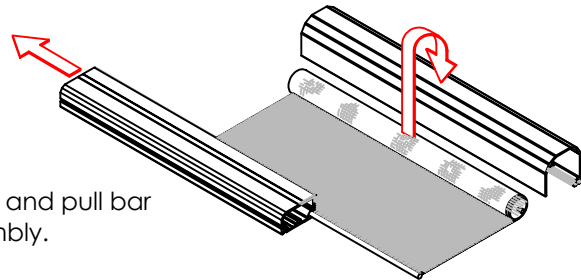
Remove screen unit for the door frame and set on clean, flat surface.



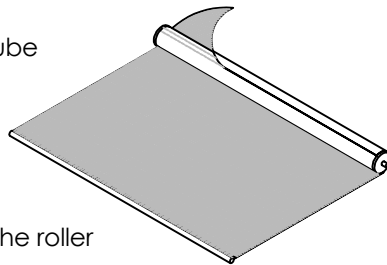
Remove housing end caps and pull bar guides. Set these aside along with the torsion ratchet for reassembly



Remove the housing and pull bar from the mesh assembly.

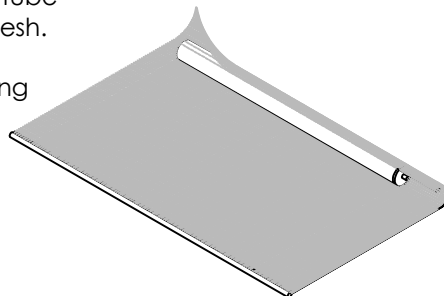


Remove the mesh from the roller tube and discard.



Center the replacement mesh to the roller tube. Using the v-groove in the tube as a reference attach the mesh.

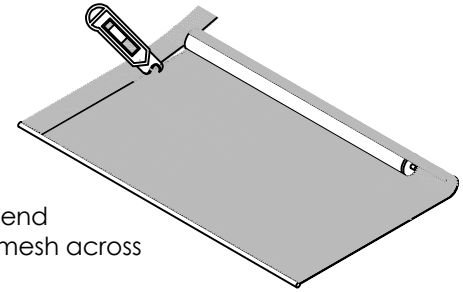
If the double sided tape holding the mesh to the tube is no longer sticky overlay it with new tape available on line.



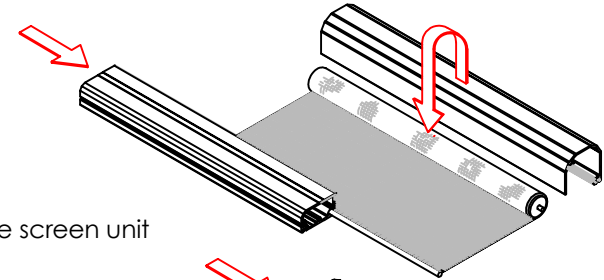
## Re-Screening Instructions

Loose Mesh Method.

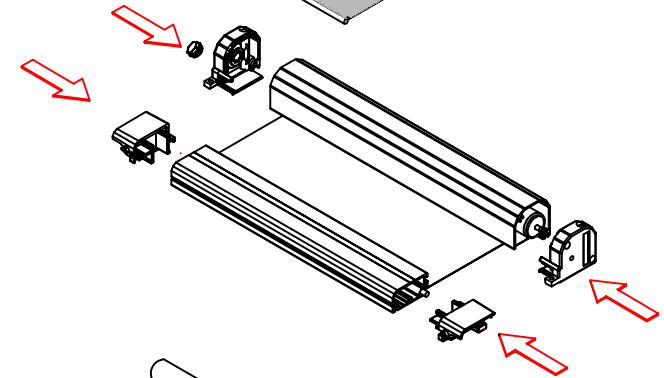
Using a hooked utility knife trim the mesh to length. Starting in the center of the end caps follow a thread in the mesh across its width.



Re-assemble the screen unit



Tension the spring a minimum of 12 turns using a 5/16" Nit Driver. For more details on tension springs, see the Spring tensioning instruction sheet.



Check that the screen operates smoothly before reinstalling it in the door frame.

