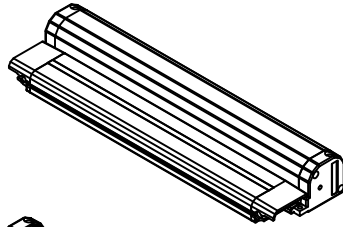


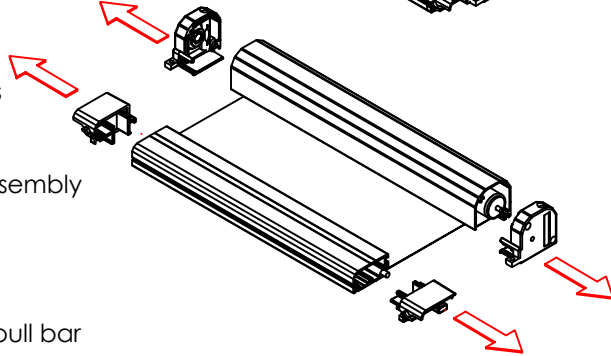
Re-Screening Instructions

Mesh on Tube method.

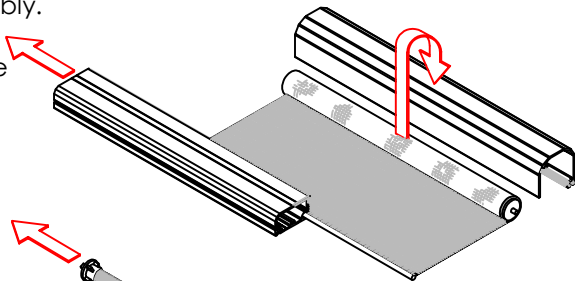
Remove screen unit for the door frame and set on clean, flat surface.



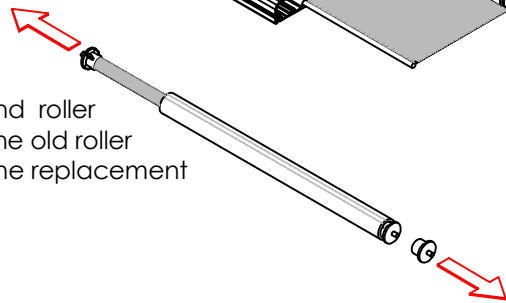
Remove housing end caps and pull bar guides. Set these aside along with the torsion ratchet for reassembly.



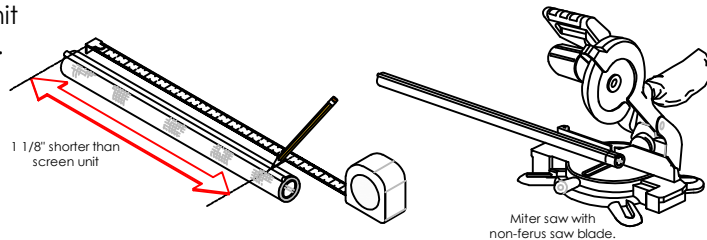
Remove the housing and pull bar from the mesh assembly. Disregard the old mesh and recycle the aluminum tube.



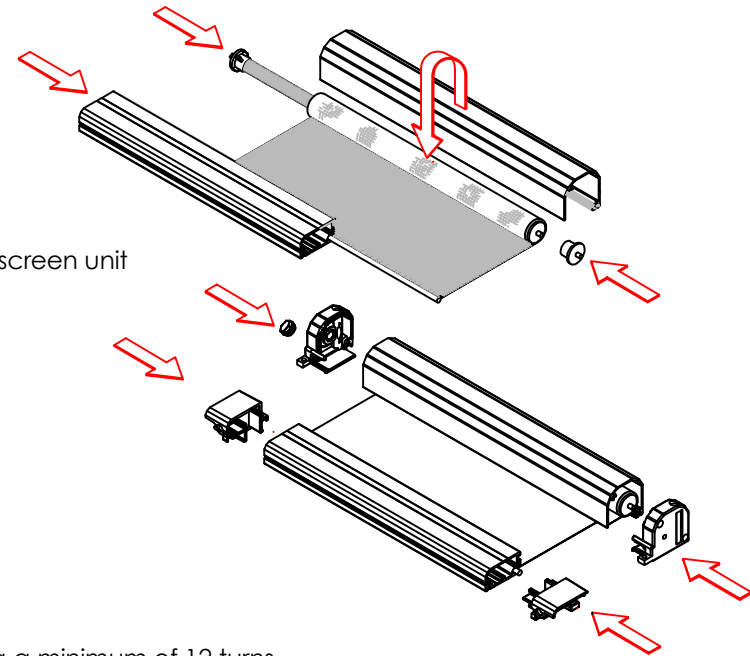
Salvage the spring and roller tube end cap from the old roller tube for re-use with the replacement mesh assembly.



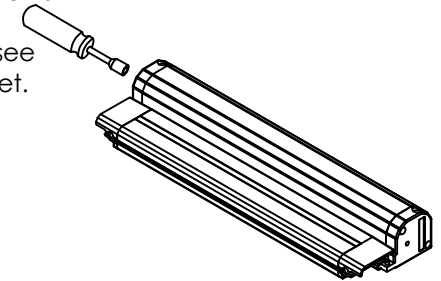
Measure and cut the replacement mesh assembly 1 1/8" shorter than the finished length of the screen unit it will be used in.



Re-assemble the screen unit.



Tension the spring a minimum of 12 turns using a 5/16" Nit Driver. For more details on tension springs, see the Spring tensioning instruction sheet.



Check that the screen operates smoothly before reinstalling it in the door frame.

