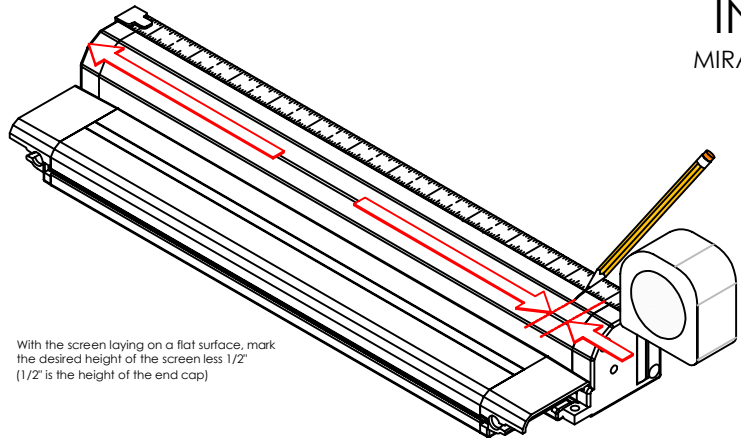


CUT-DOWN INSTRUCTIONS

MIRAGE RETRACTABLE SCREENS

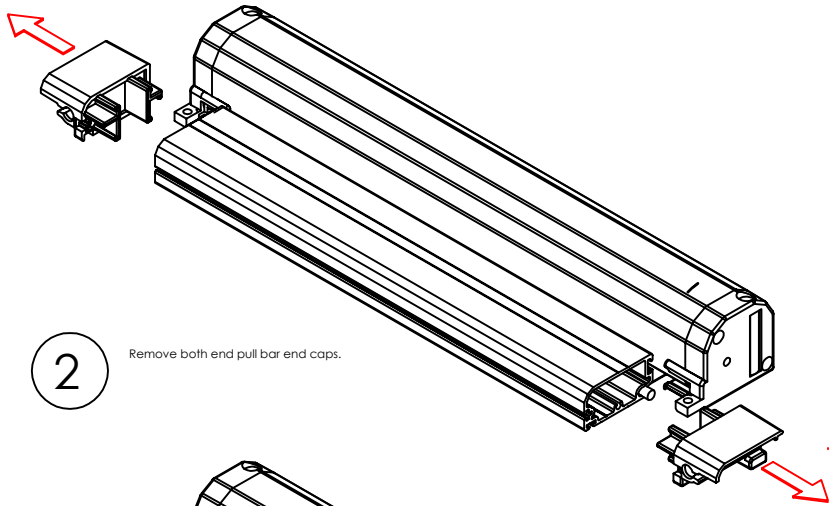
1

With the screen laying on a flat surface, mark the desired height of the screen less 1/2" (1/2" is the height of the end cap)



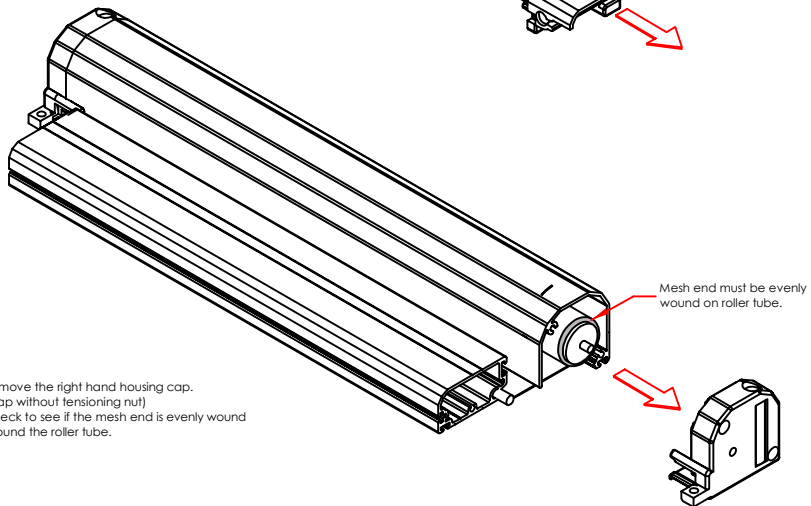
2

Remove both end pull bar end caps.



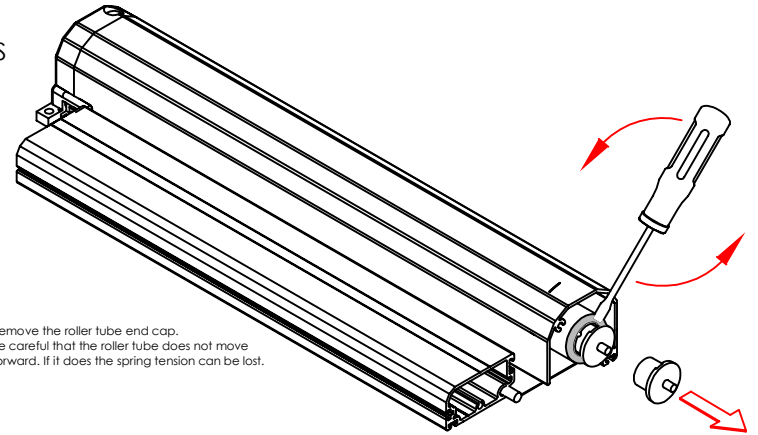
3

Remove the right hand housing cap.
(Cap without tensioning nut)
Check to see if the mesh end is evenly wound around the roller tube.



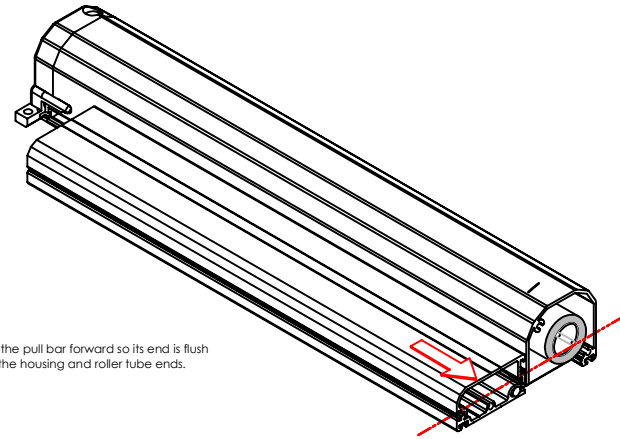
4

Remove the roller tube end cap.
Be careful that the roller tube does not move forward. If it does the spring tension can be lost.



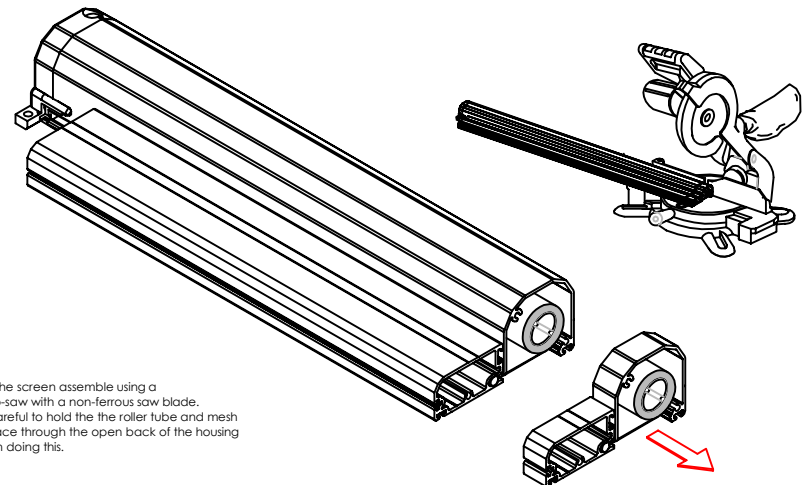
5

Slide the pull bar forward so its end is flush with the housing and roller tube ends.



6

Cut the screen assemble using a chop-saw with a non-ferrous saw blade.
Be careful to hold the the roller tube and mesh in place through the open back of the housing when doing this.



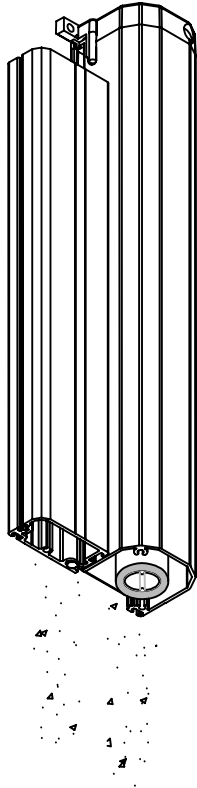
CUT-DOWN

MIRAGE RETRACTABLE SCREENS

(Instructional Diagram)

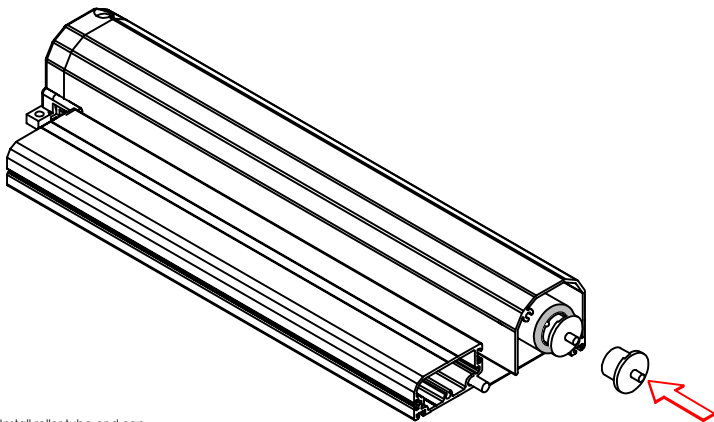
7

Empty out any material shaving that may have gotten into the screen assembly during cutting.
Again hold the roller tube in place when doing this.



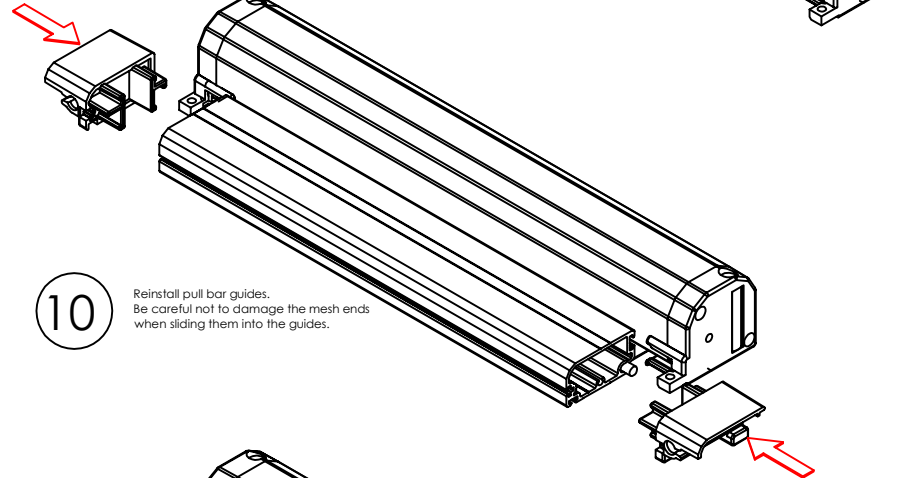
8

Re-install roller tube end cap.



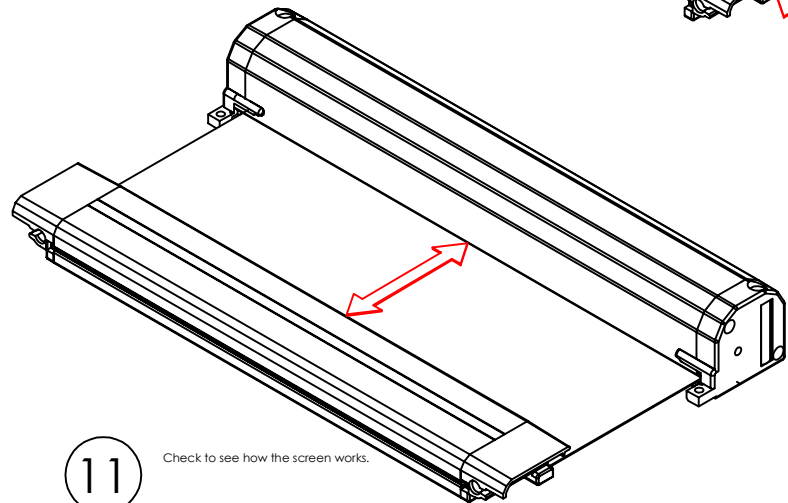
9

Reinstall right hand housing cap.



10

Reinstall pull bar guides.
Be careful not to damage the mesh ends when sliding them into the guides.



11

Check to see how the screen works.